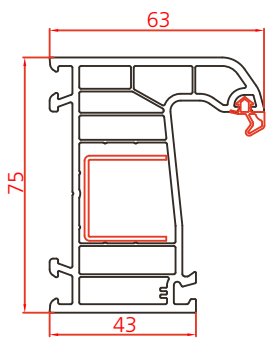


**FIRAT**

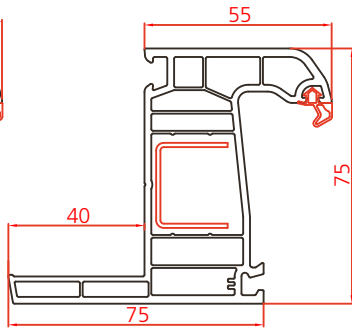
**selenit75**

**TECHNICAL**

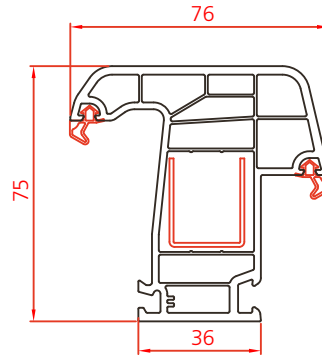
**CATALOGUE**



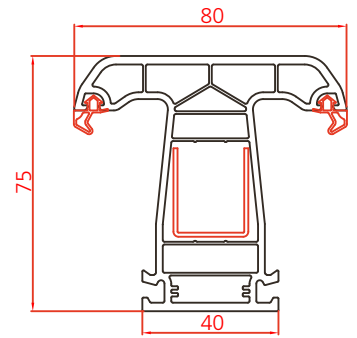
Frame



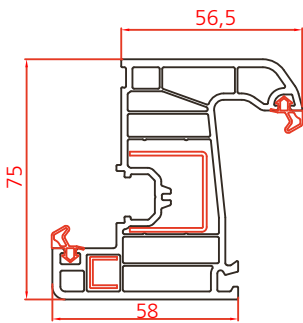
Lining Frame



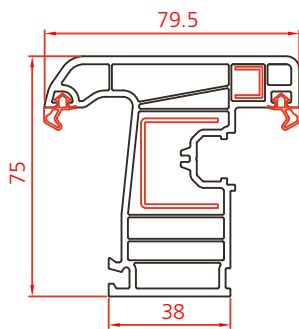
Frame with Closing



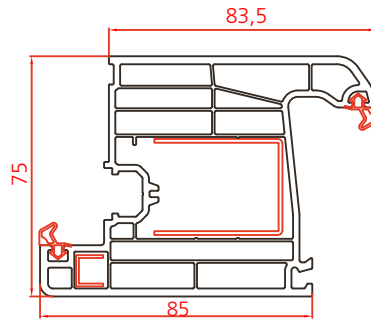
Mullion



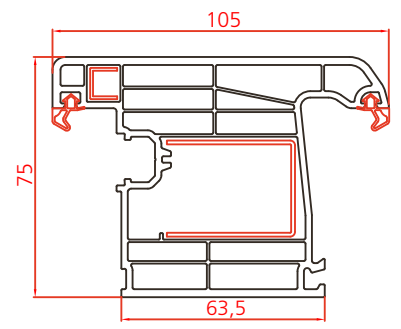
Sash



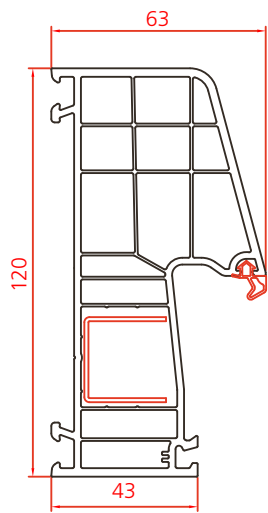
Outside Opening Sash



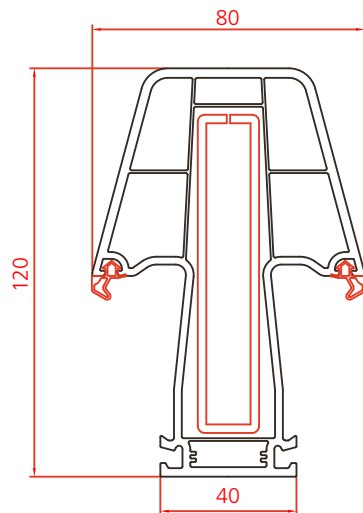
Inside Opening Door



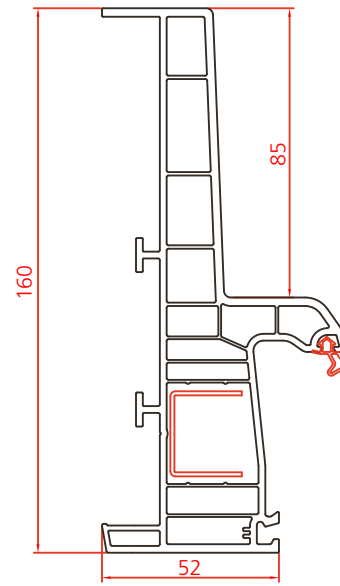
Outside Opening Door



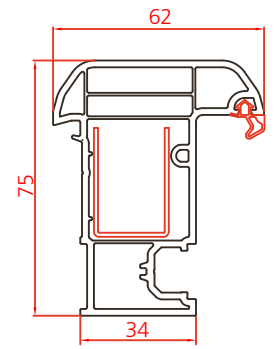
Dutch Frame



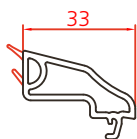
Dutch Mullion



French Frame



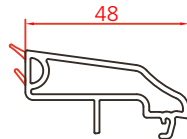
Sash Adapting



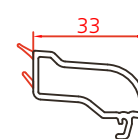
20 mm Glazing Bead



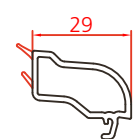
24 mm Glazing Bead



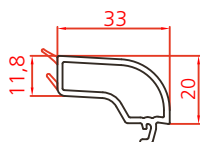
5 mm Glazing Bead



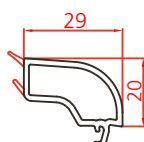
20 mm Glazing Bead



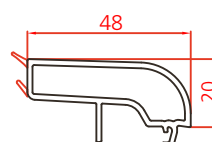
24 mm Glazing Bead



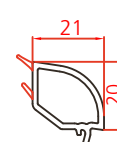
20 mm Glazing Bead



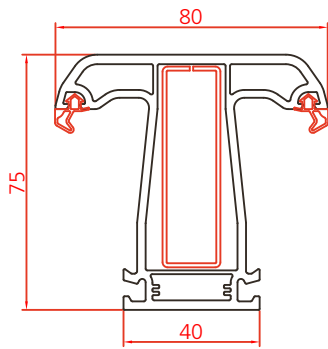
24 mm Glazing Bead



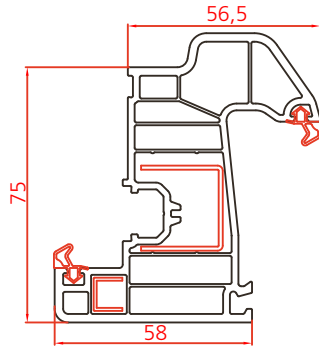
5 mm Glazing Bead



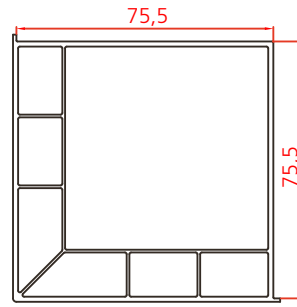
32 mm Glazing Bead



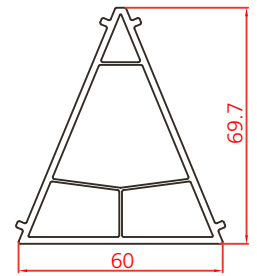
Face Mullion



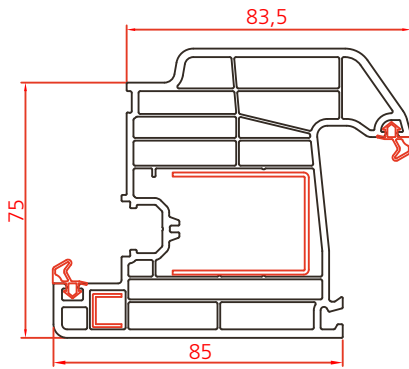
Drained Sash



90° Box

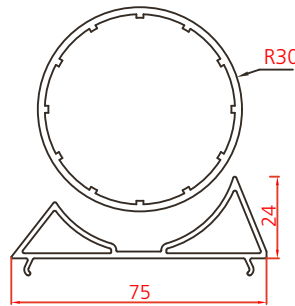


135° Post

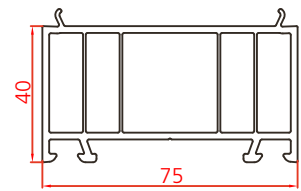


Drained Inside Opening Door

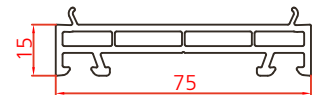
Açılı Dönüş Boru



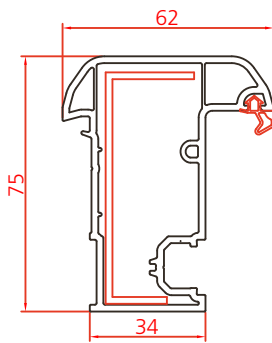
Post Adapting



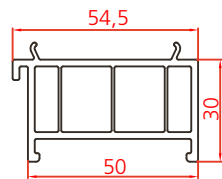
40 mm Elevation



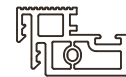
15 mm Elevation



Face Sash Adapting



Frame Base Montage



PVC Threshold



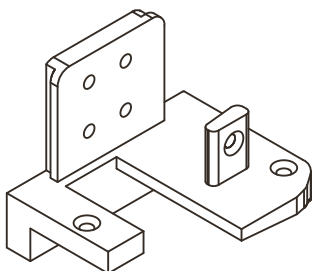
Alu. Threshold



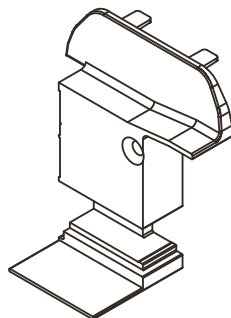
Alu. Underside Threshold



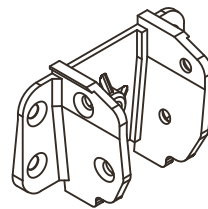
Threshold Bead



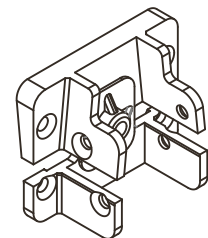
Threshold Connector



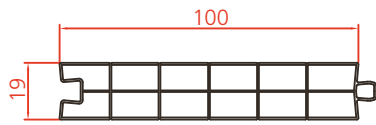
Sash Adapting Profile Plug



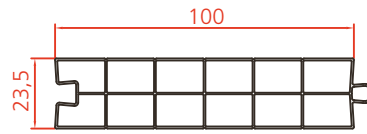
Mullion Connector



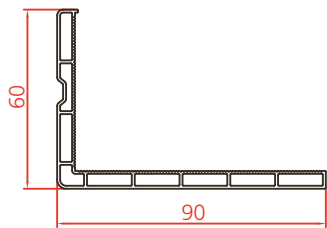
3 Seal Mullion Connector



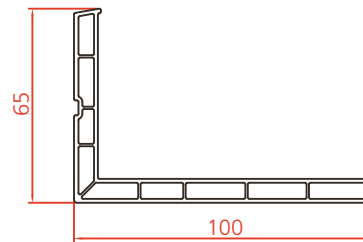
Lambri



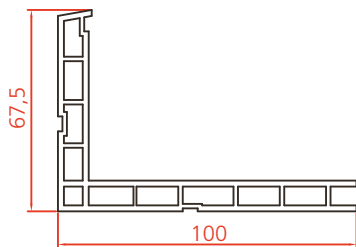
24x100 Lambri



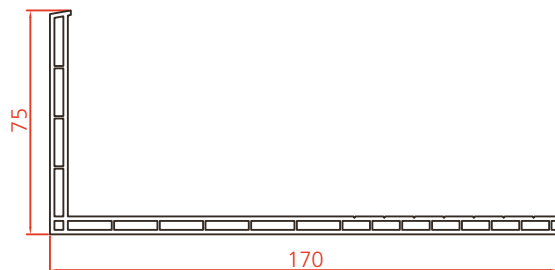
60x90 Lining



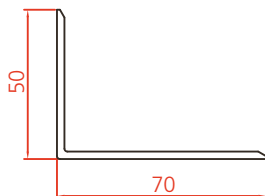
65x100 Lining



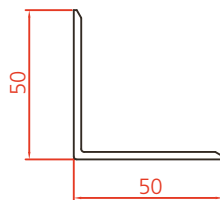
67,5 x 100 Lining



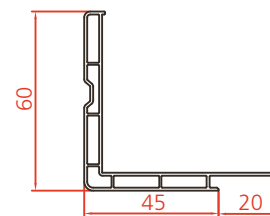
75 x 170 Lining



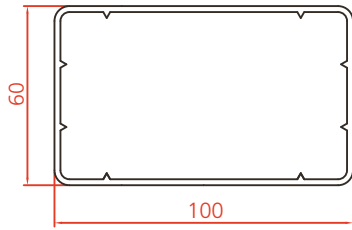
50x70 Lining



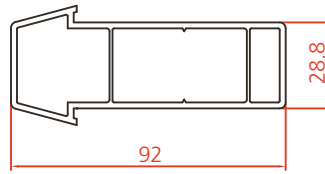
50x50 Lining



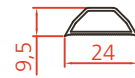
60x45 Lining



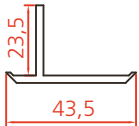
60x100 Box



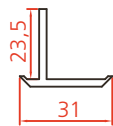
U Box



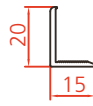
Pane Separating



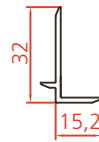
Wide T Profile



Narrow T Profile



Corner Piece



T Profile



Lining Adapting



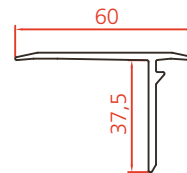
In Door Sill



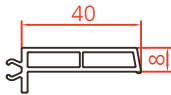
Coupling Profile



Bead Channel



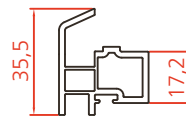
Closing Profile



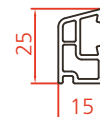
Zero Based Lining



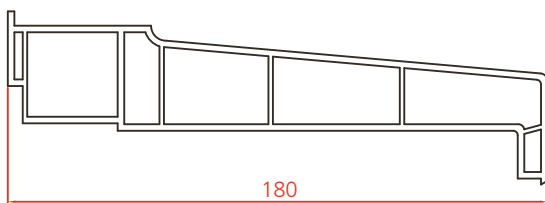
Lining Leading



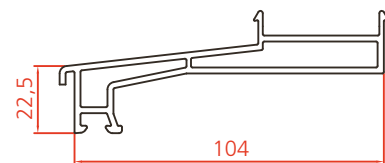
New Threshold



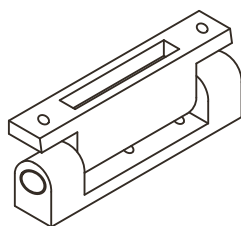
Drainage Profile



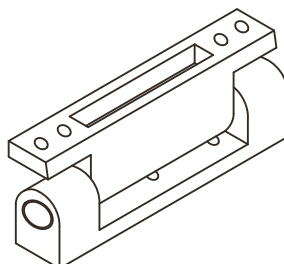
Outdoor Sill Profile



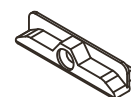
Sill Profile



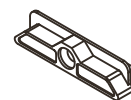
75 mm Hinge



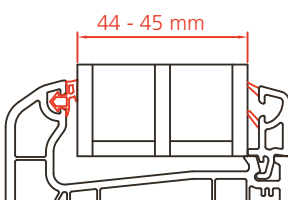
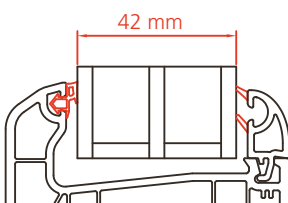
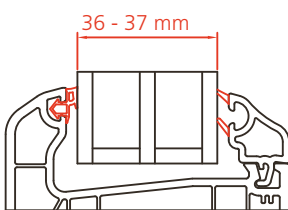
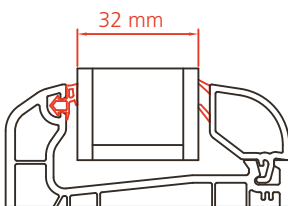
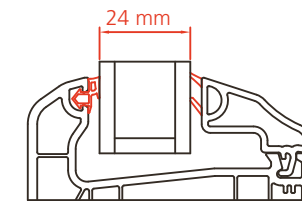
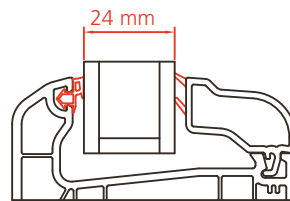
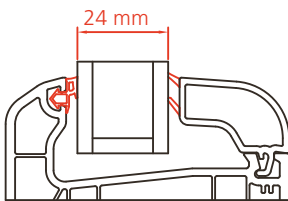
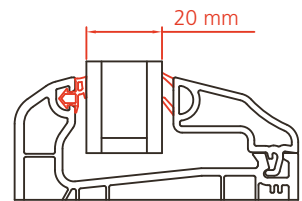
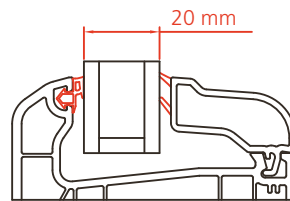
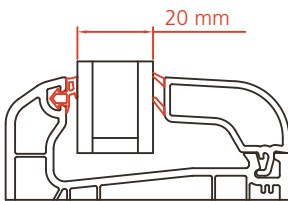
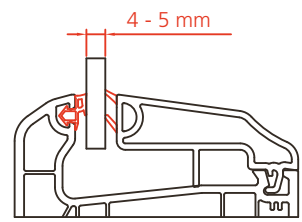
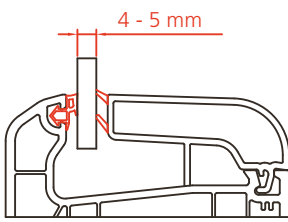
90 mm Hinge

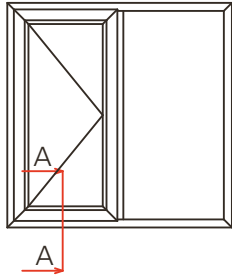


6 mm Espagnolette Striker

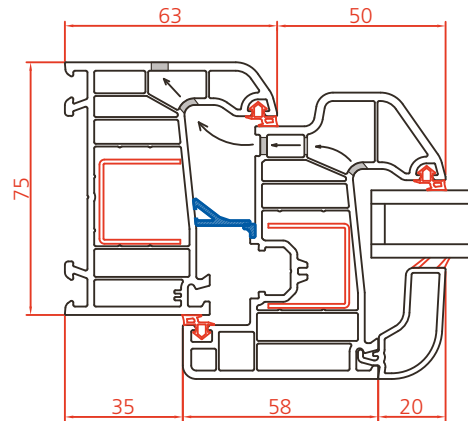
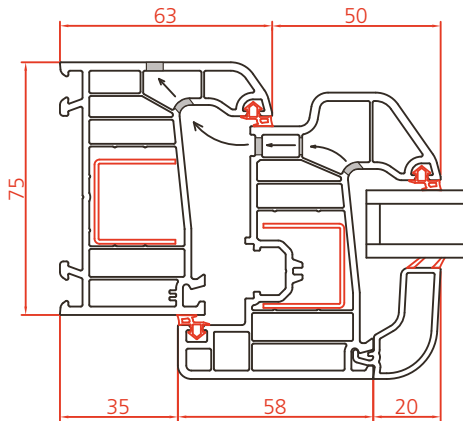


Espagnolette Striker

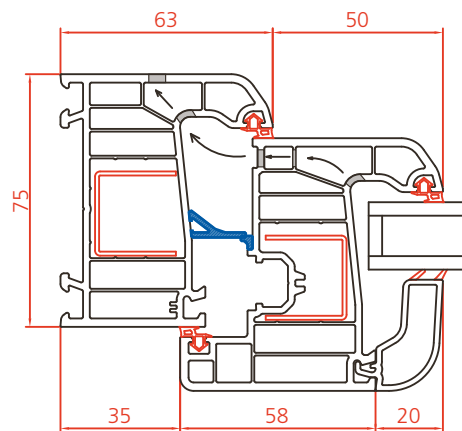
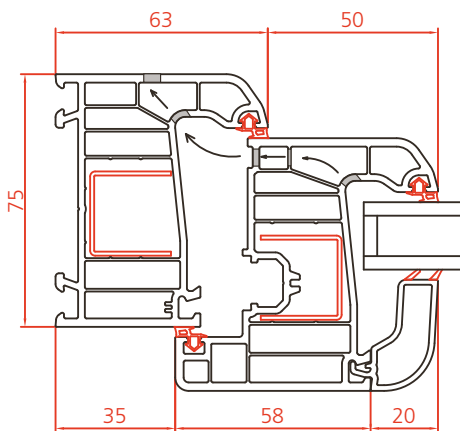




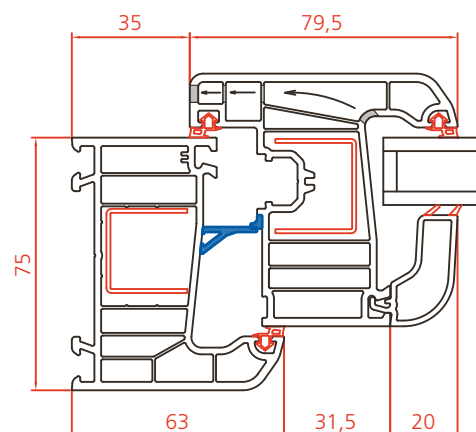
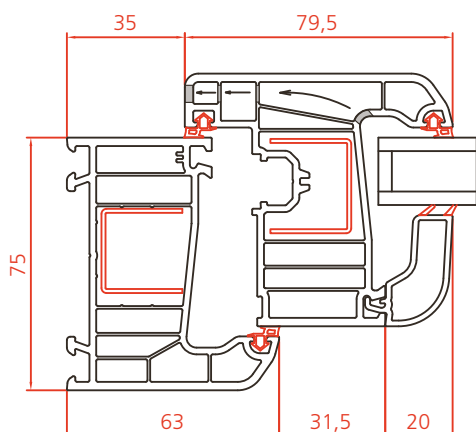
Drained Sash

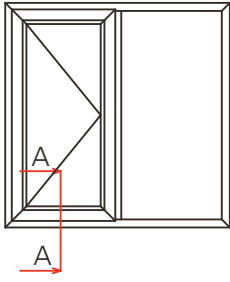


Sash

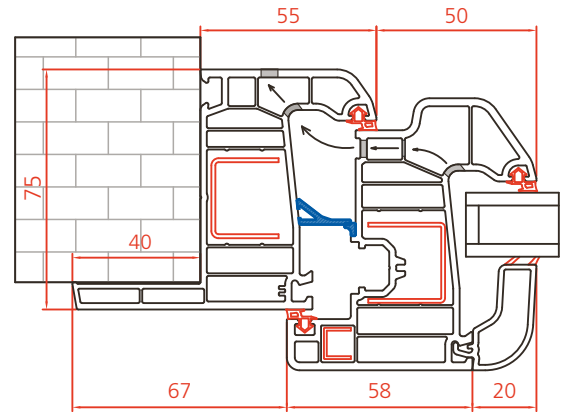
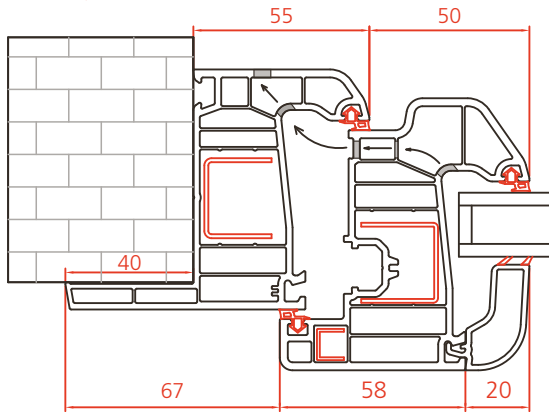


Outside Opening Door

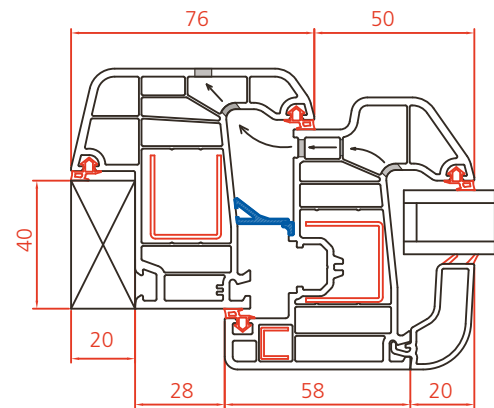
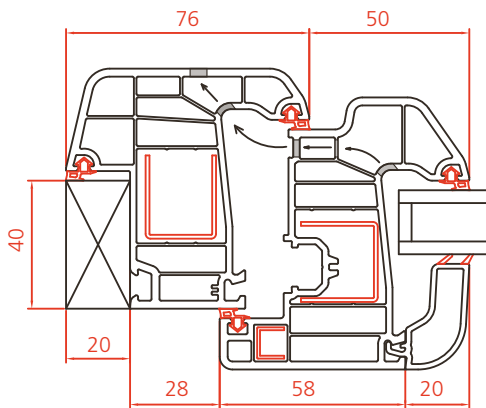




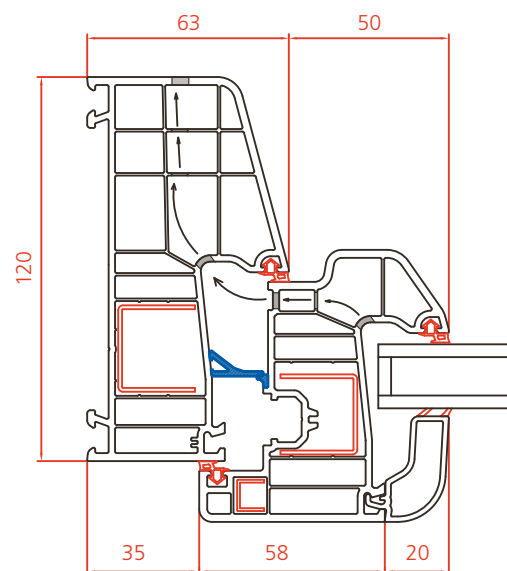
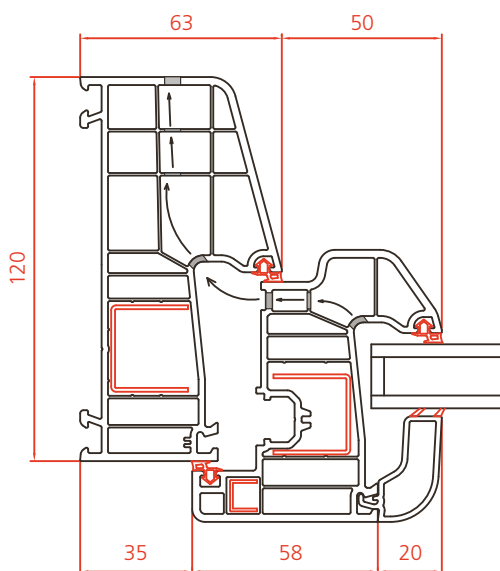
Lining Frame



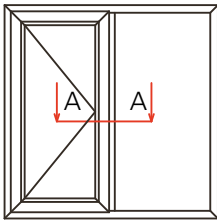
Frame With Closing



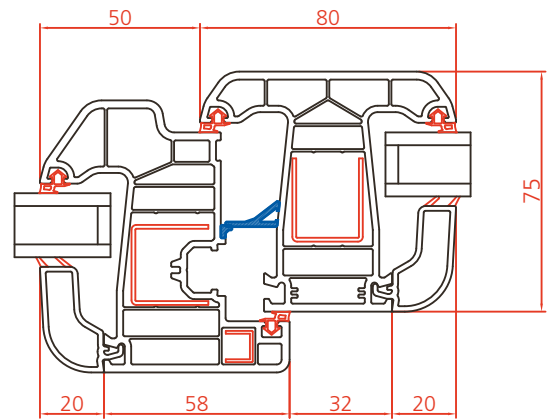
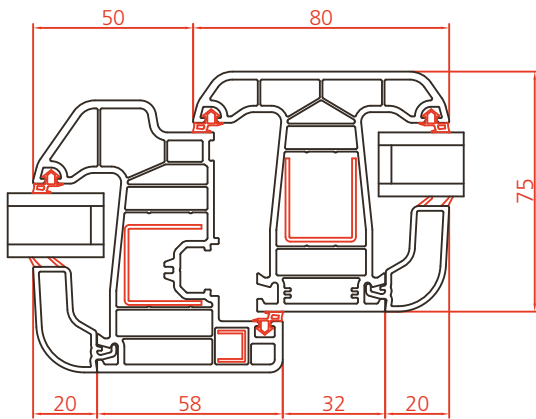
Dutch Frame



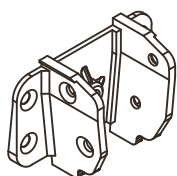
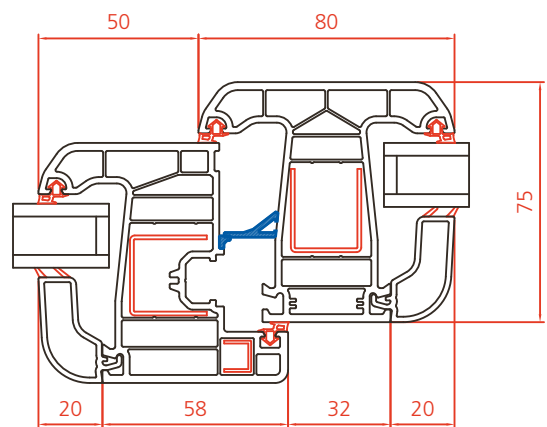
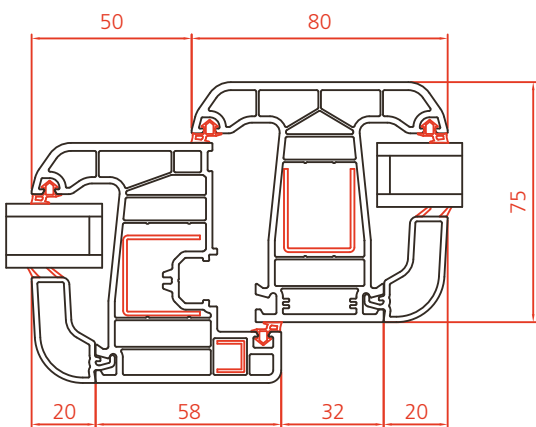




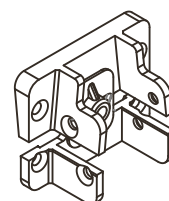
Drained Sash - Mullion



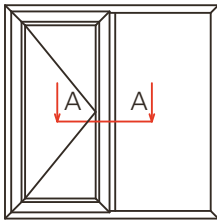
Sash - Mullion



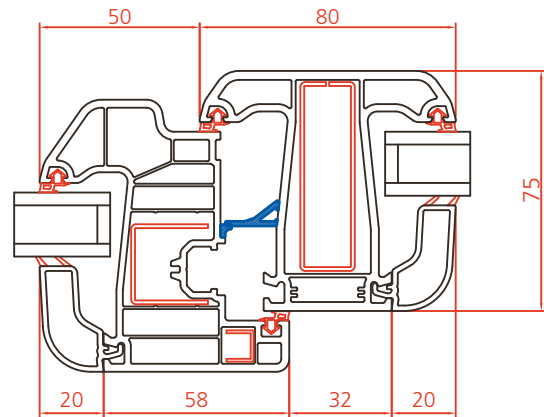
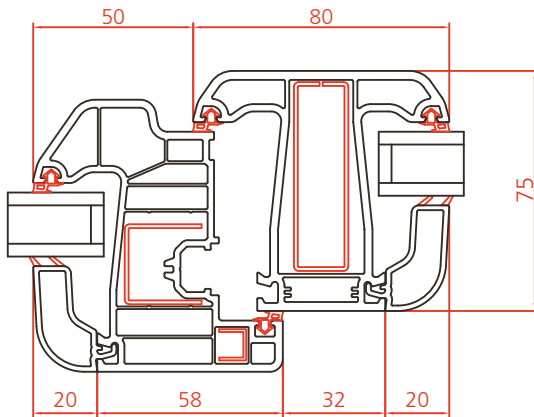
Mullion Connection



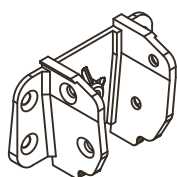
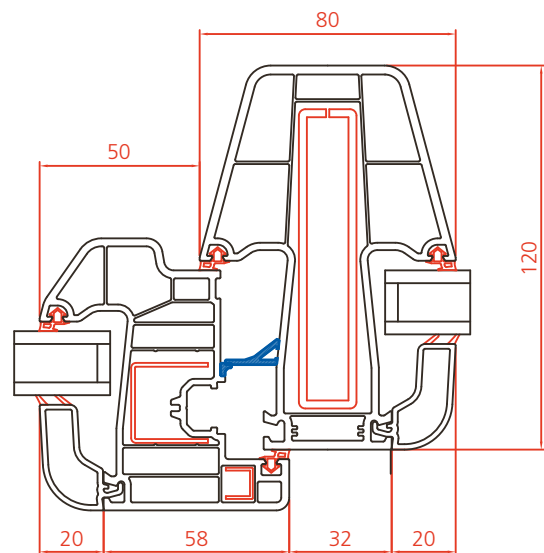
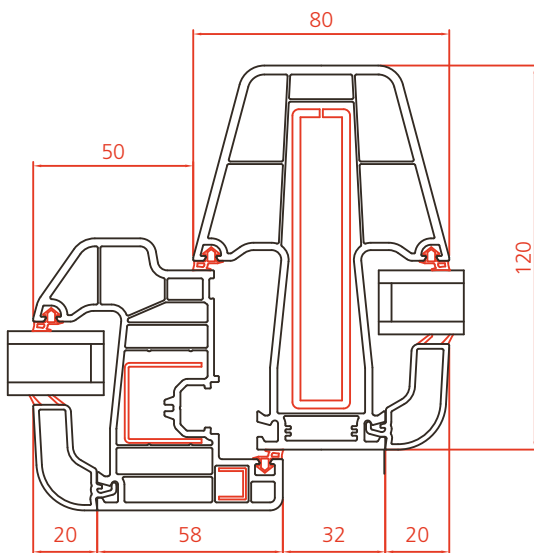
3 Seal Mullion Connection



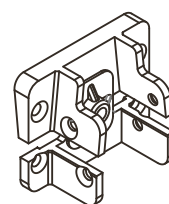
Face Mullion



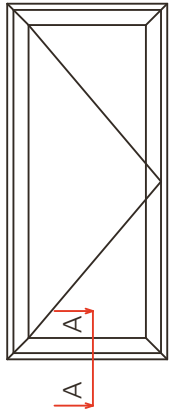
Dutch Mullion



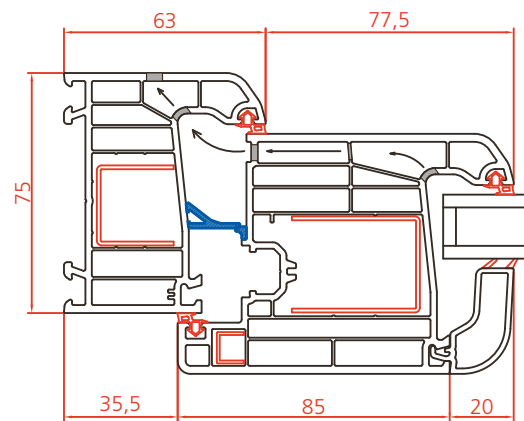
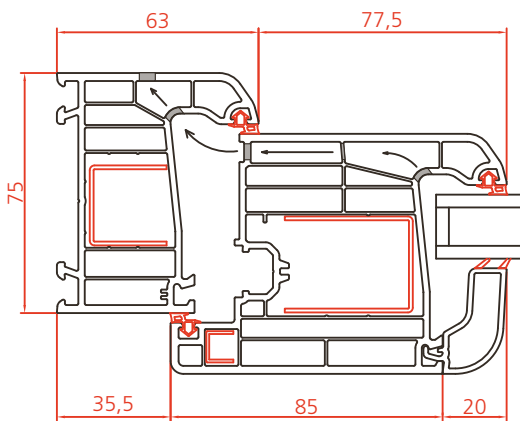
Mullion Connection



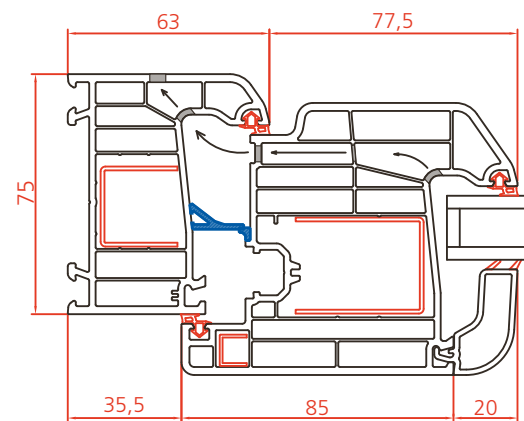
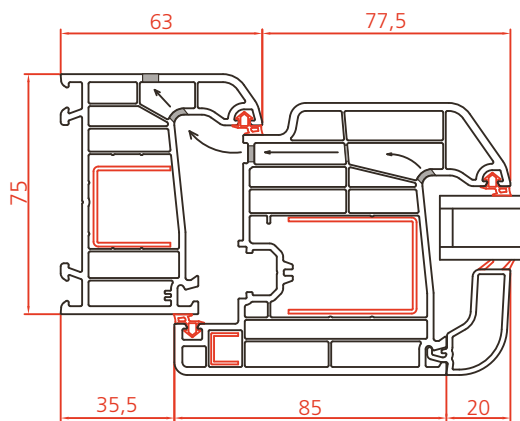
3 Seal Mullion Connection



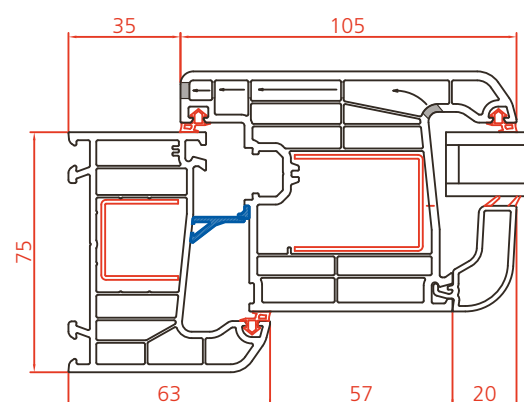
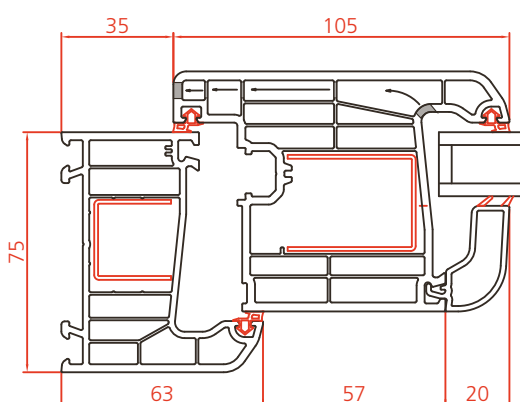
Inside Opening Door

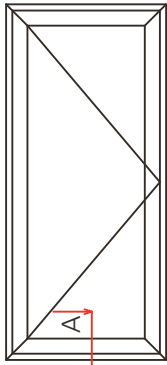


Inside Drained Opening Door

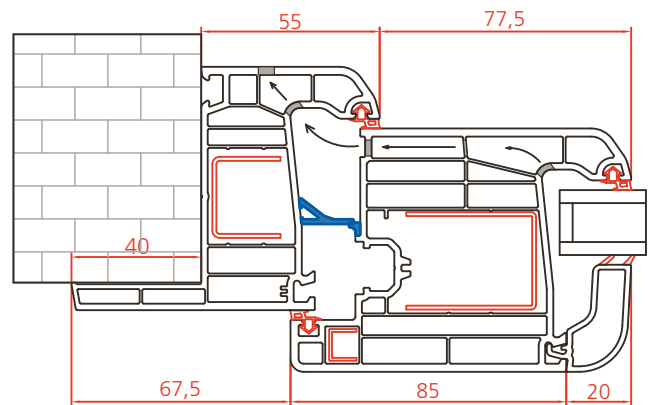
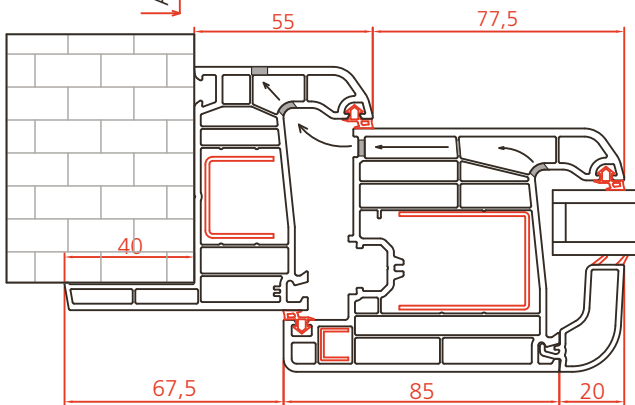


Outside Opening Door

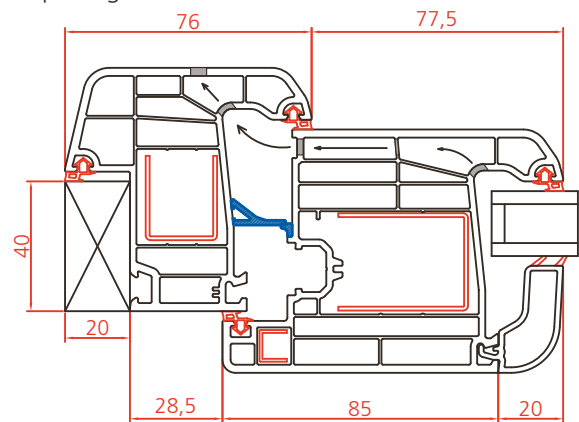
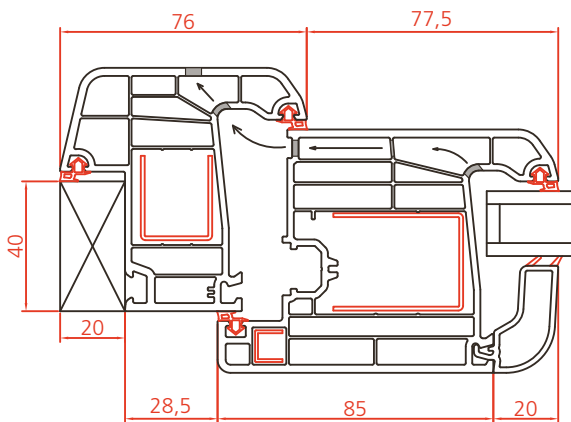




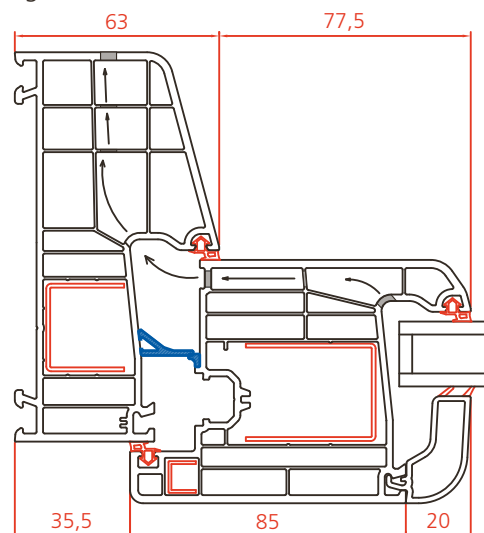
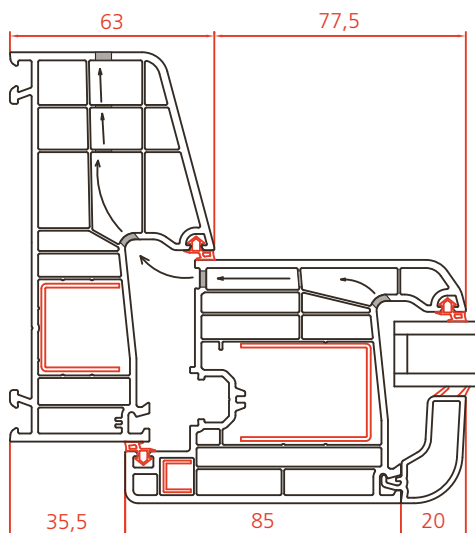
Lining Frame - Inside Opening Door

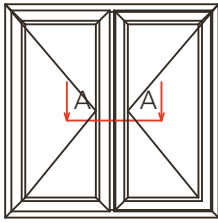


Frame With Closing - Inside Opening Door

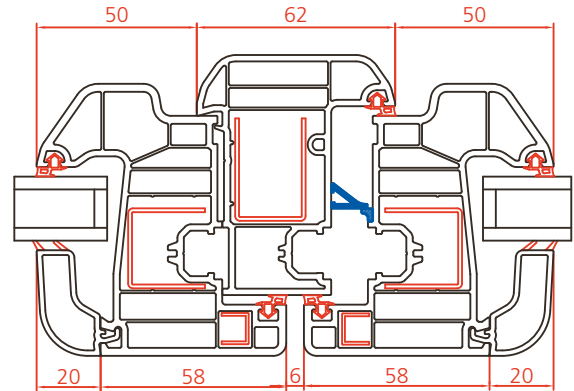
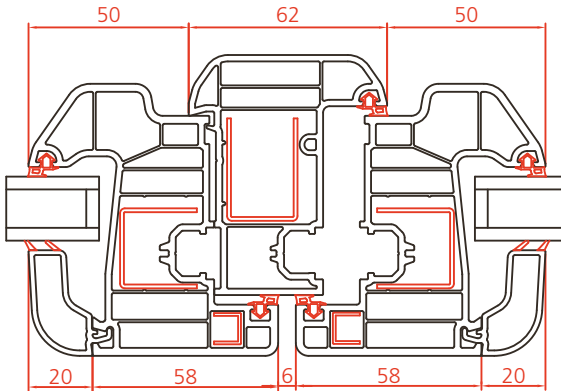


Dutch Draine - Inside Opening Door

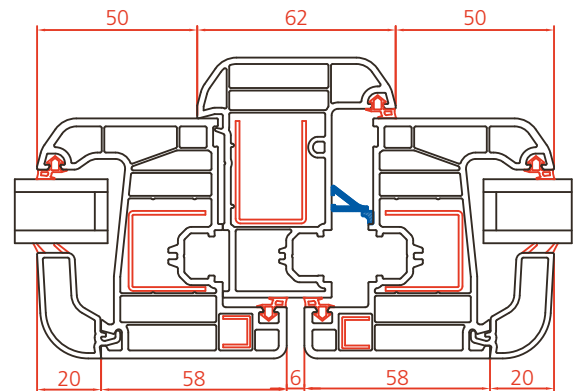
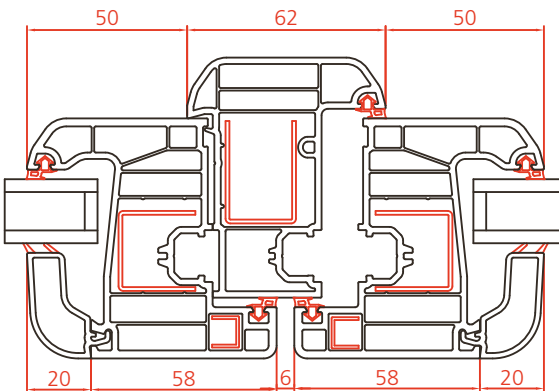




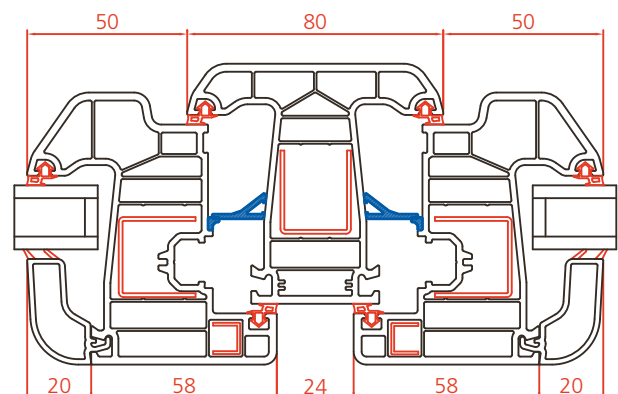
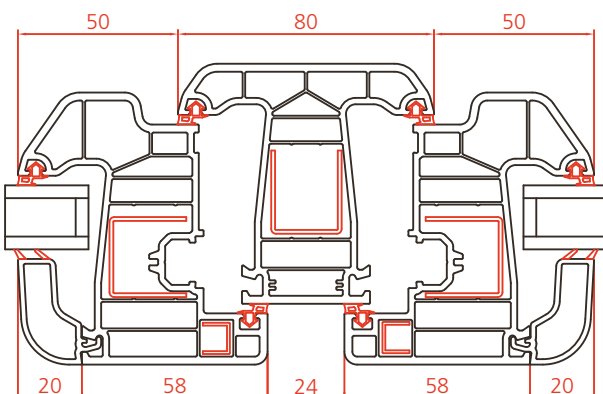
Sash Adapting - Drained Sash

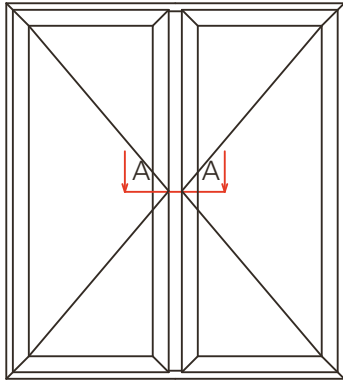


Sash Adapting - Sash

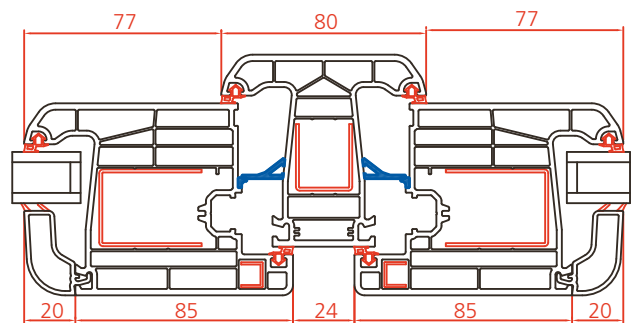
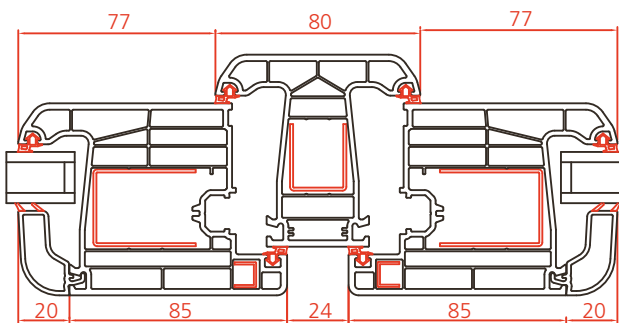
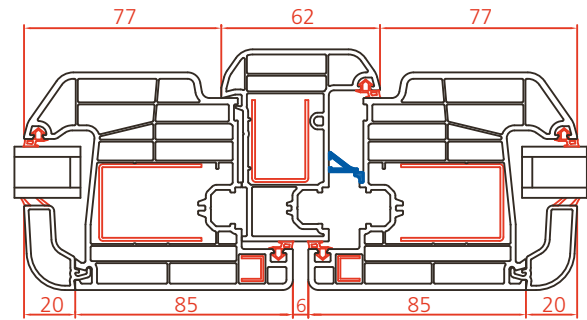
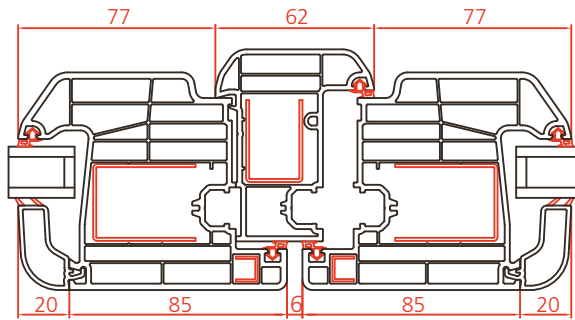
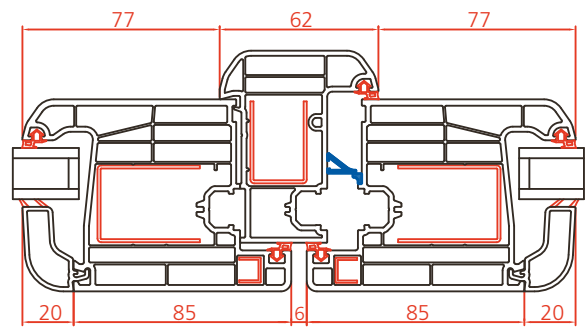
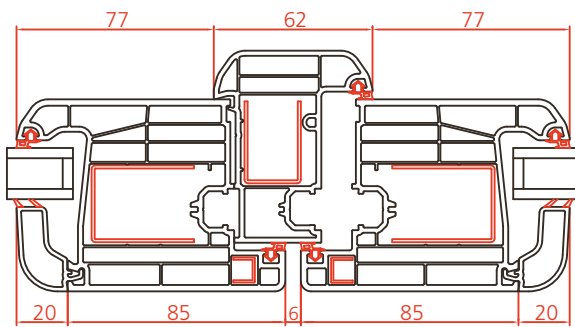


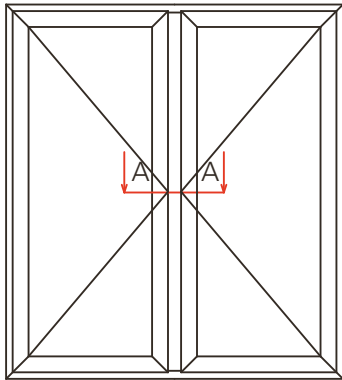
Mullion - Sash



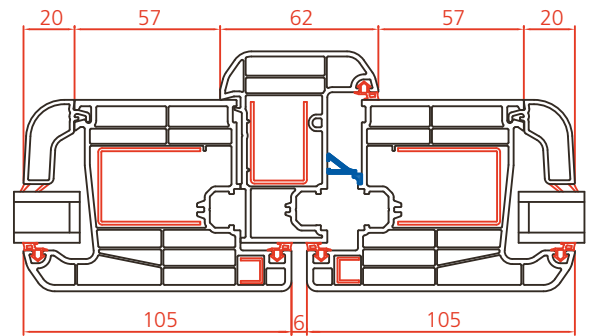
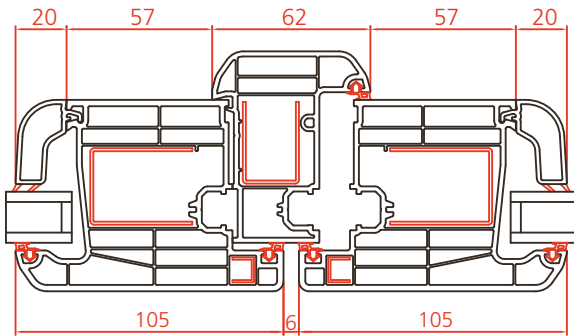


Sash Adapting - Inside Door

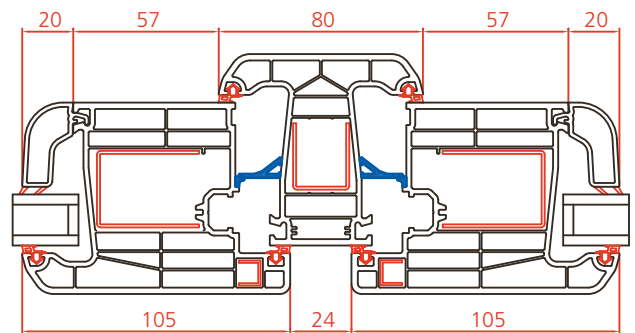
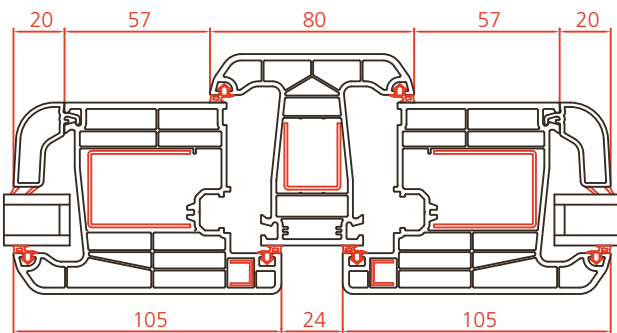




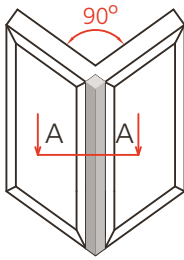
Sash Adapting - Outside Door



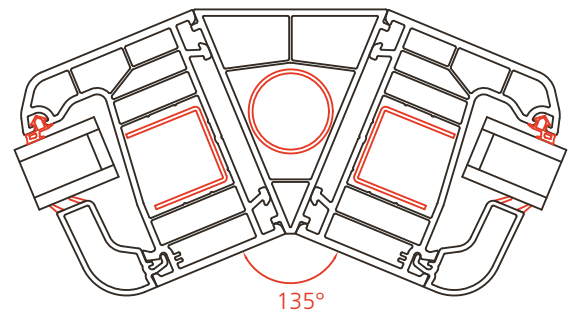
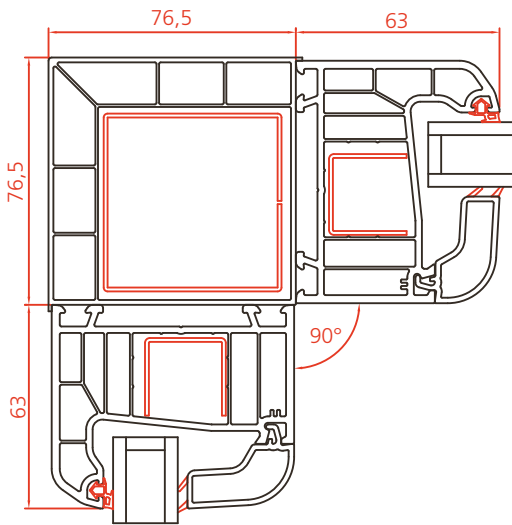
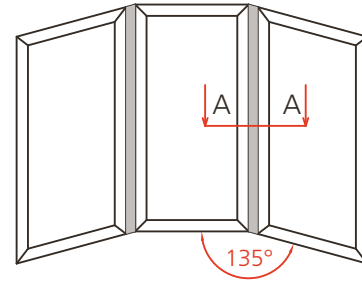
Mullion - Inside Door



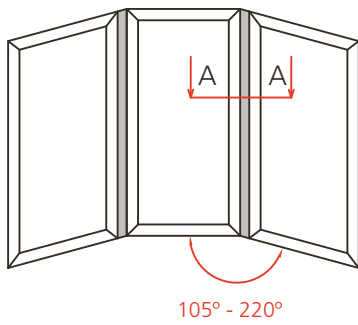
90° Box



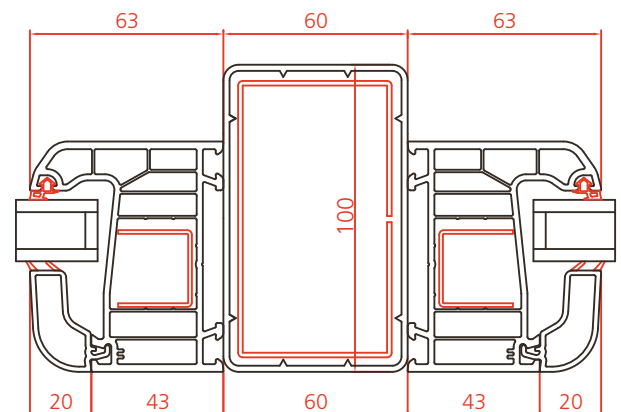
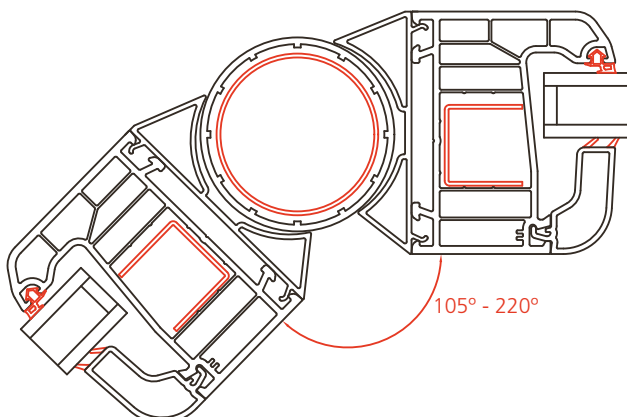
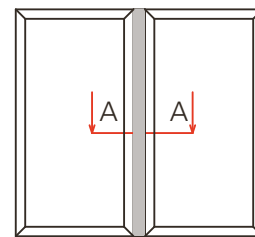
135° Post



Post Adapting Pipe

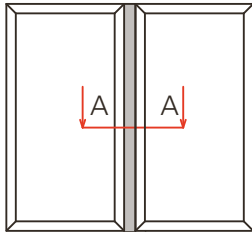


60x100 mm Box

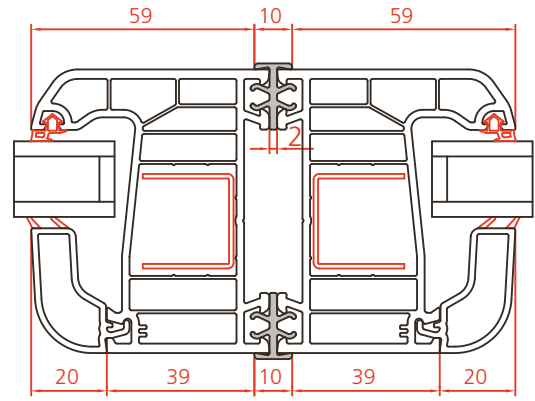
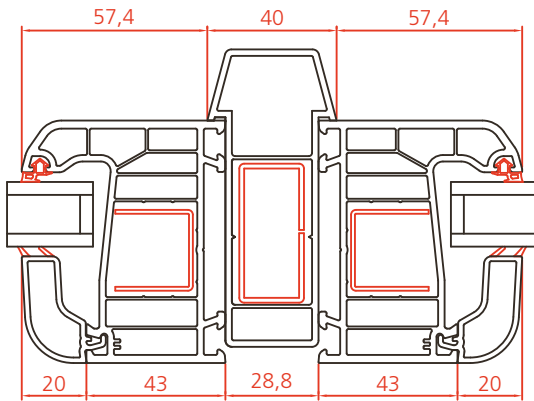
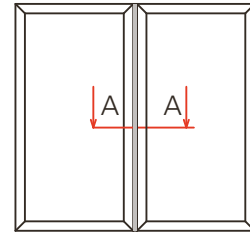




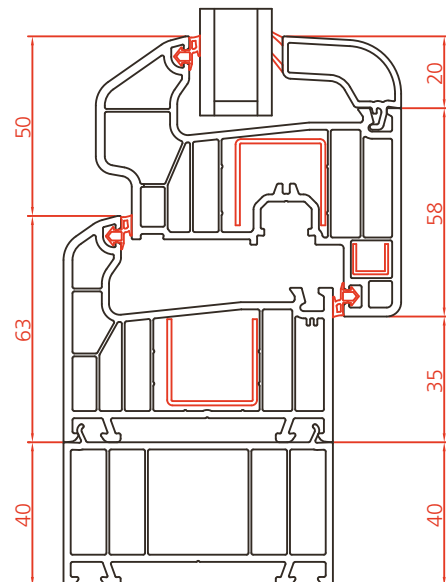
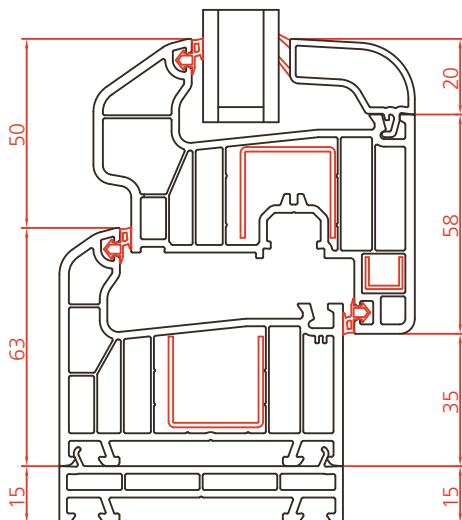
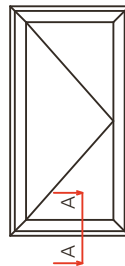
U Box



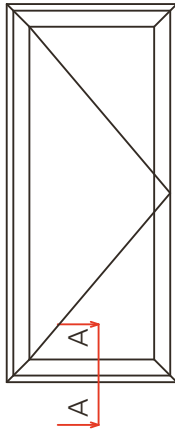
Connecting



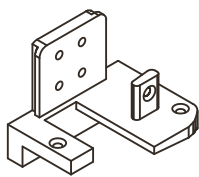
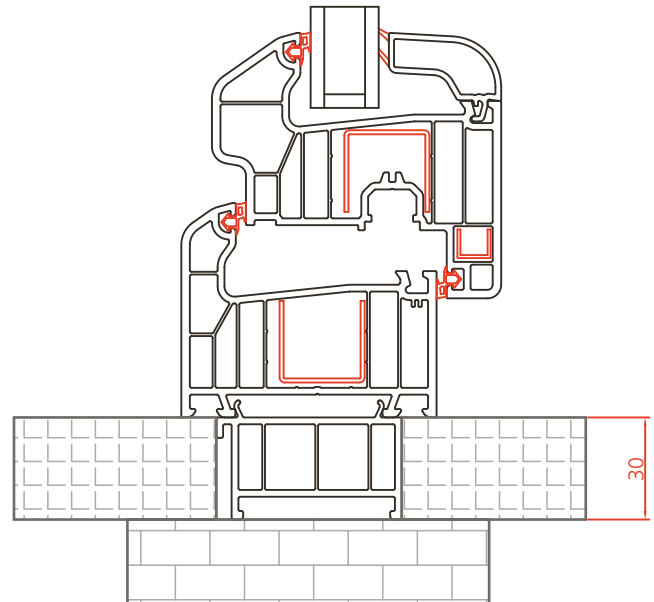
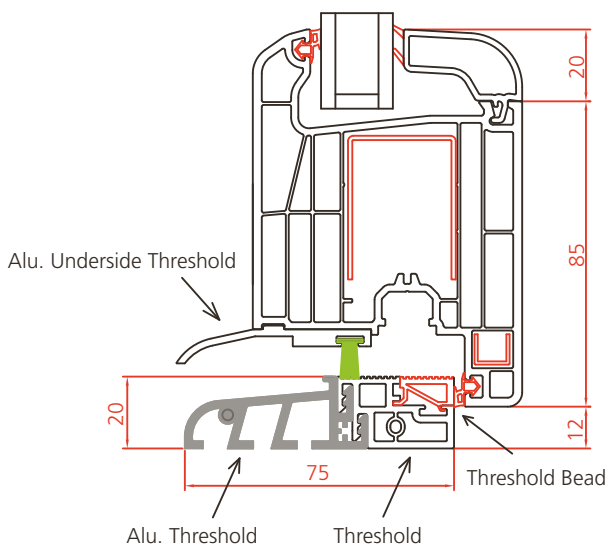
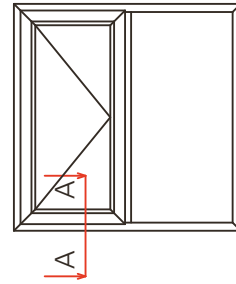
Frame Base



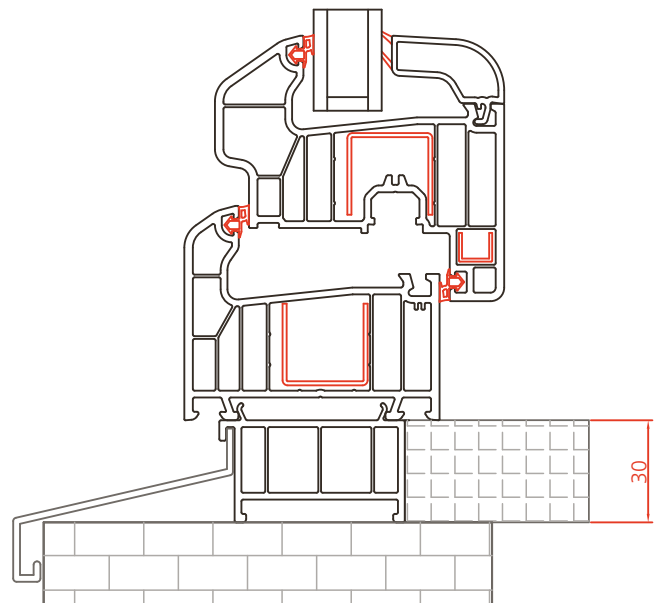
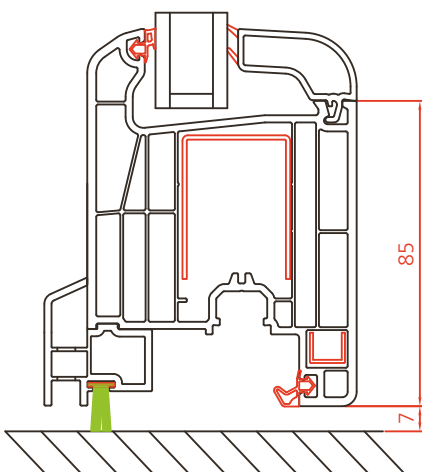
Threshold

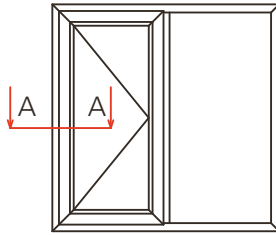


Frame Base

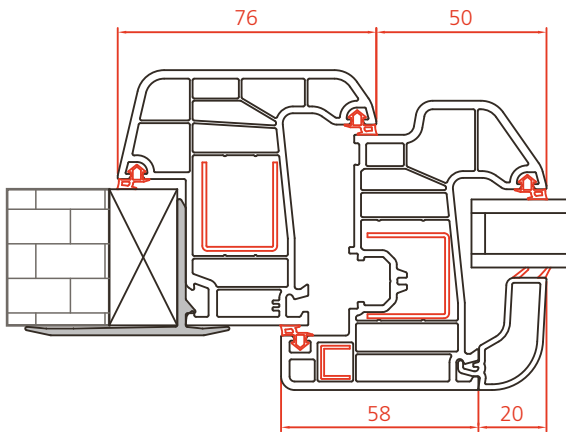


Threshold Connector

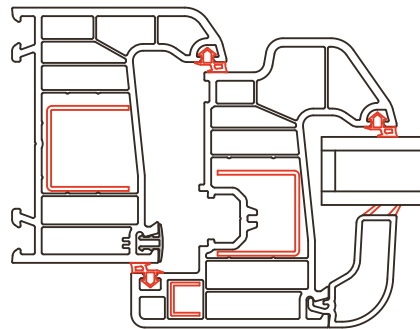




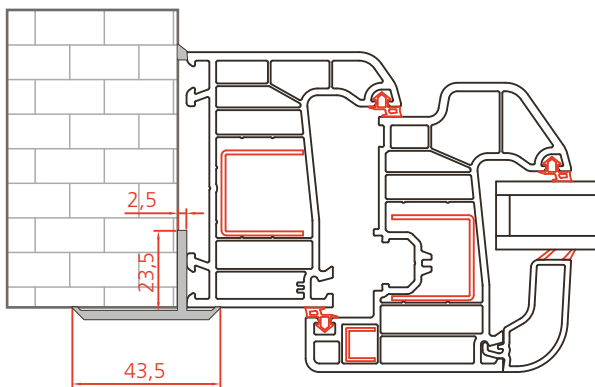
Closing Profile



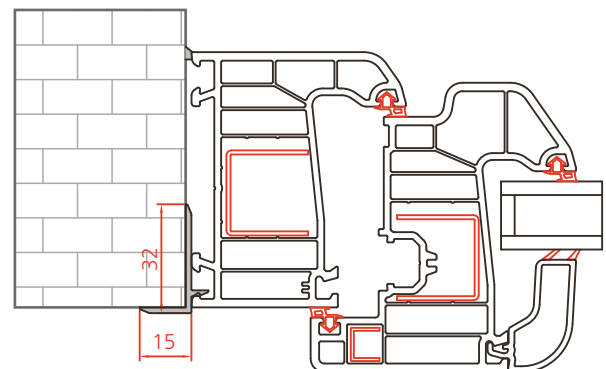
Bead Channel Profile



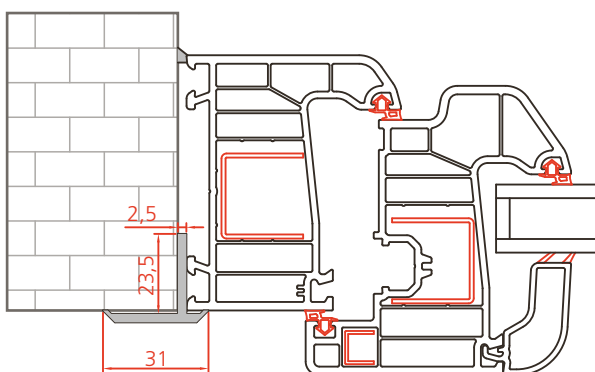
Wide T Profile



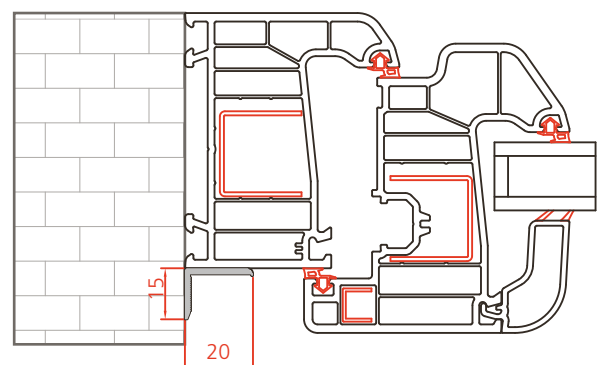
T Profile

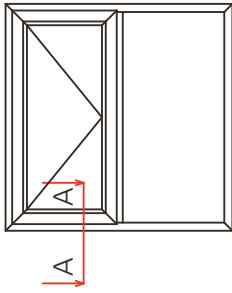


Narrow T Profile



Corner Piece Profile

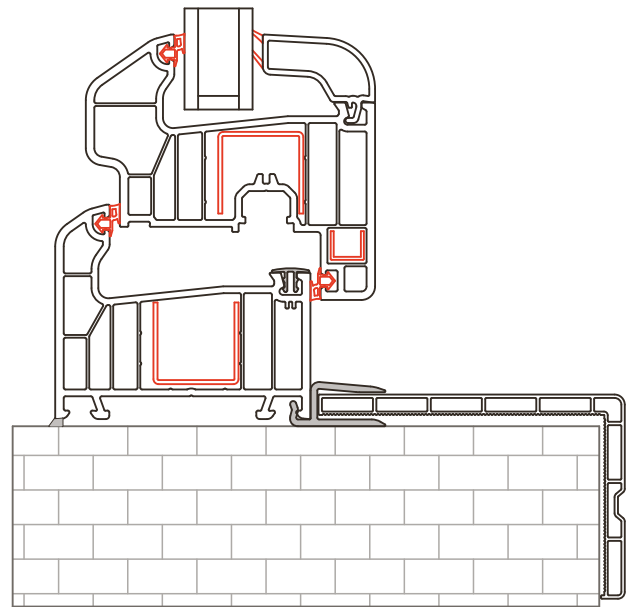
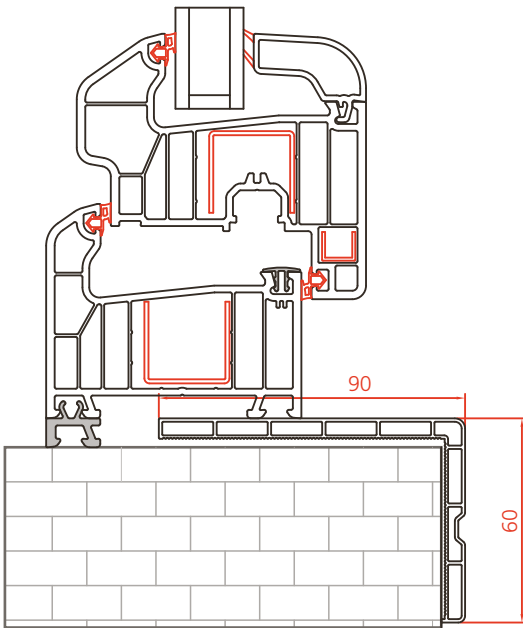




60 x 90 mm Lining

Lining Leading Profile

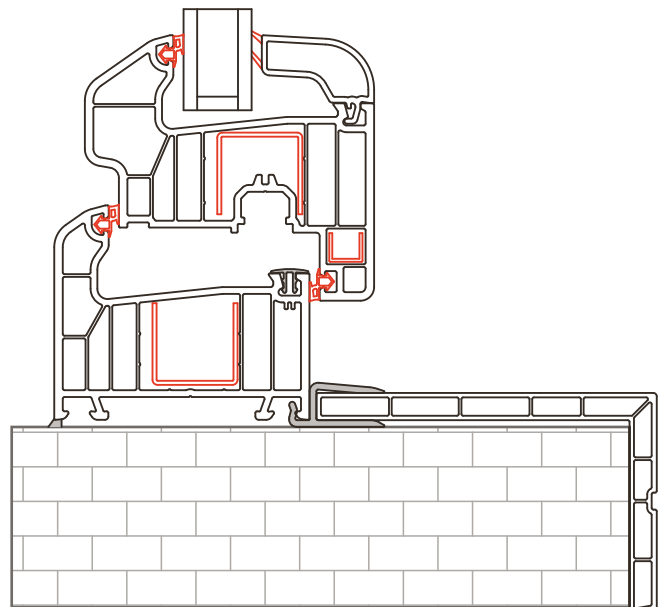
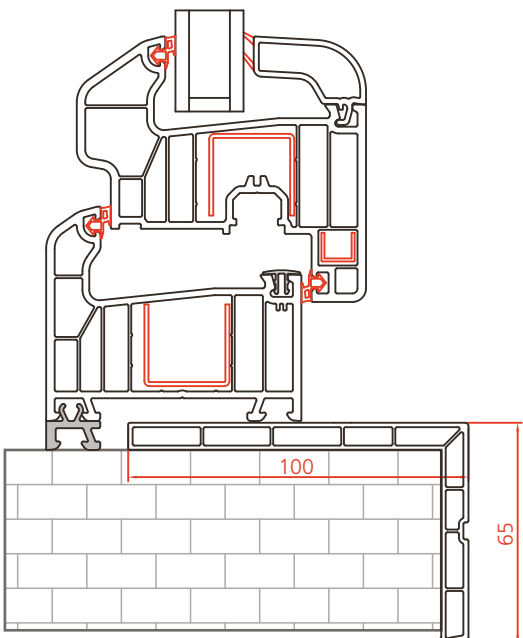
Lining Adapting Profile

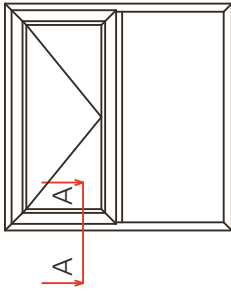


65 x 100 mm Lining Profile

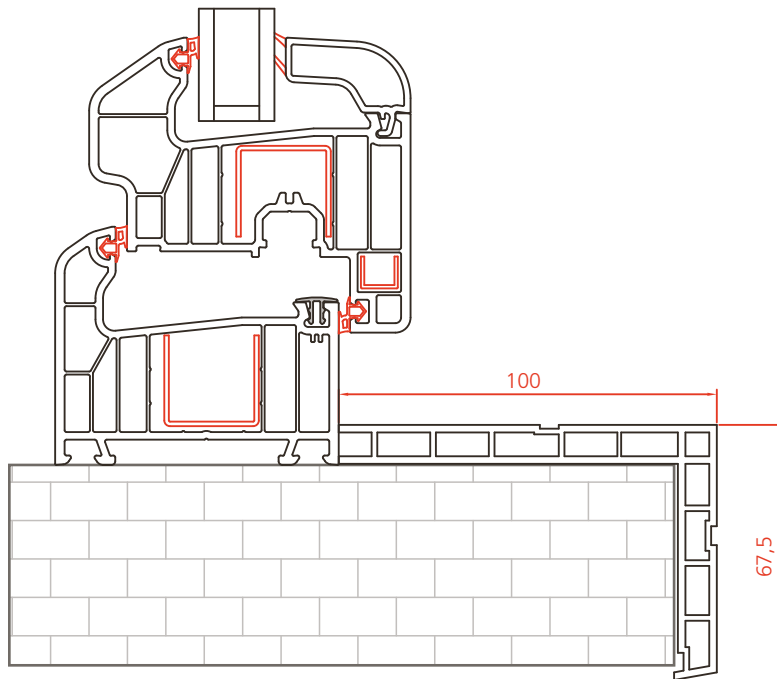
Lining Leading Profile

Lining Adapting Profile

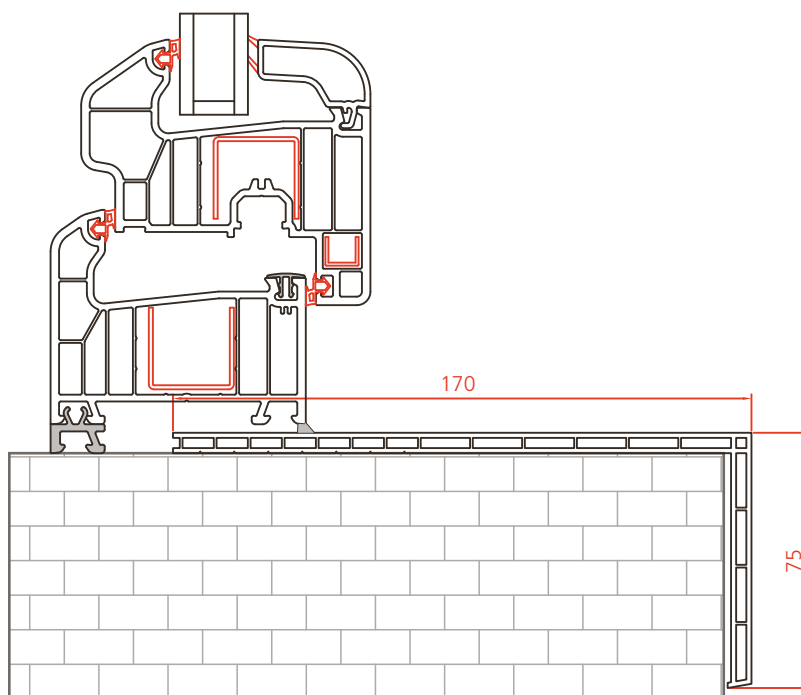


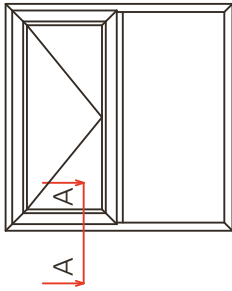


67,5 x 100 mm Lining Profile

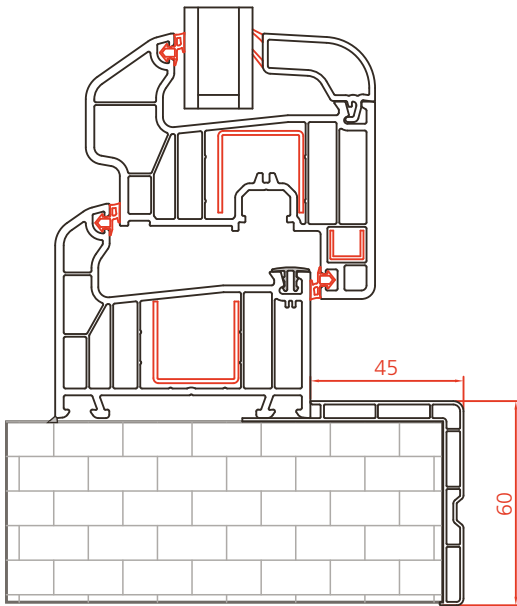


75 x 170 mm Lining Profile

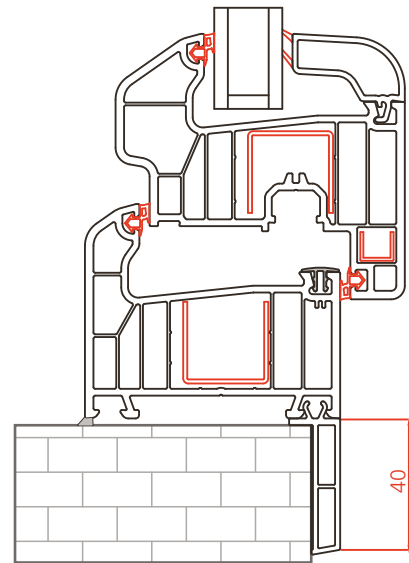




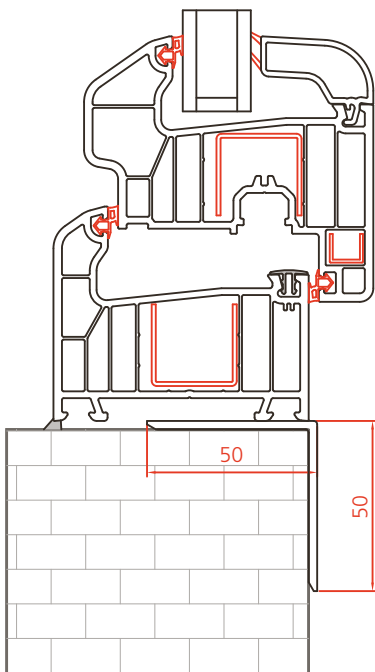
60 x 45 mm Lining Profile



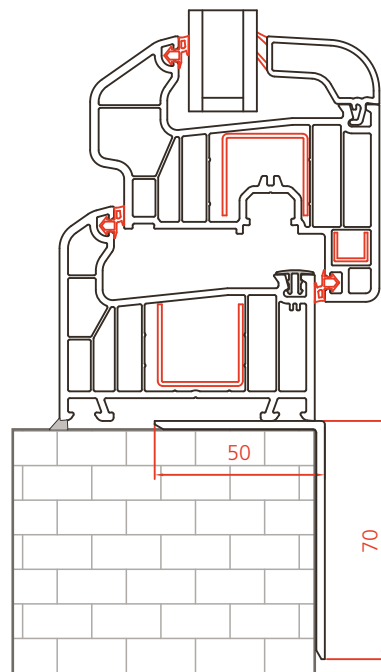
Zero Based Lining

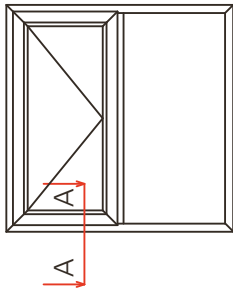


50 x 50 mm Lining

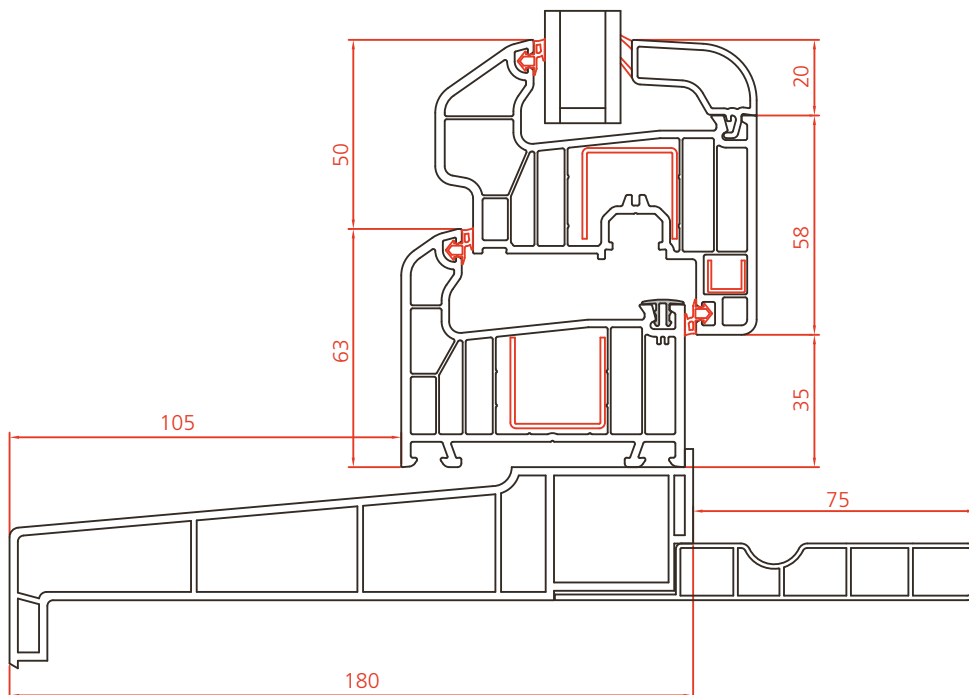
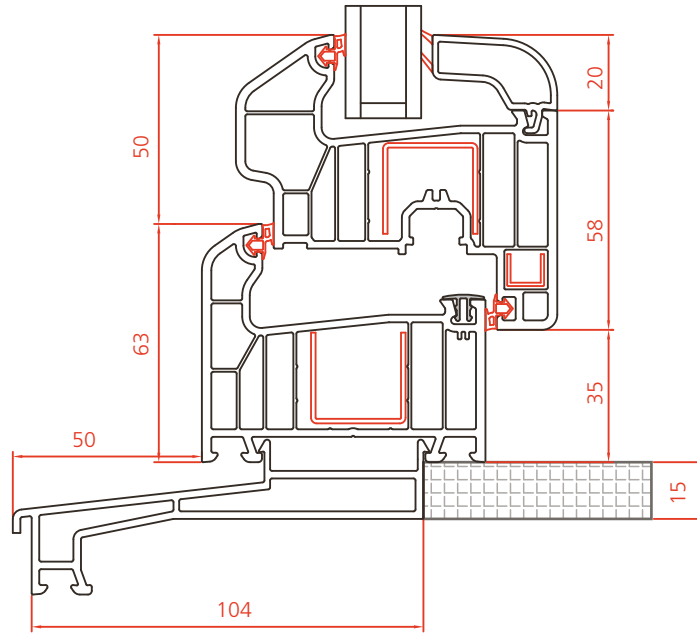


50 x 70 mm Lining





Sill Profile



# FIRAT

Türkoba Mah. Fırat Plastik Cad. No: 23  
34537 Büyükçekmece - İstanbul - TÜRKİYE  
T: +90 (212) 866 41 41 - 866 42 42  
F: +90 (212) 04 00 - 859 05 00

## Customer Service:

+90 444 9 378 (FRT) / +90 800 219 80 20

firat@firat.com - info@firat.com  
info@firatpen.com.tr - musterihizmetleri@firat.com  
www.firat.com - www.firatpen.com.tr

© / Fıratplastiktr f / Fıratplastik x / Fıratplastik in / Fıratplastik  
© / Fıratpentr f / Fıratpen x / Fıratpentr