



# selenit75 selenit75

— Selective Strong — — Strong —

NEW ERA IN "A" CLASS THICKNESS & TRIPLE SEALING SYSTEM

TRIPLE SEALING SYSTEM

FRAME & SASH WIDTH 75 MM

WALL THICKNESS SELENIT SELECTIVE STRONG: "A" CLASS SELENIT STRONG: "B" CLASS



## FIRATPEN

Türkoba Mah. Fırat Plastik Cad. No: 23  
34537 Büyükçekmece - İstanbul - TÜRKİYE  
T: +90 (212) 866 41 41 - 866 42 42  
F: +90 (212) 04 00 - 859 05 00

Customer Service:  
+90 444 9 378 (FRT) / +90 800 219 80 20

firat@firat.com - info@firat.com  
info@firatpen.com.tr - musterihizmetleri@firat.com  
www.firat.com - www.firatpen.com.tr

© / Fıratplastiktr ® / Fıratplastik ☒ / Fıratplastik © / Fıratplastik  
© / Fıratpentr ® / Fıratpen ☒ / Fıratpentr



ARALIK / 2024





## SELENIT SELECTIVE STRONG & SELENIT STRONG WINDOW AND DOOR SYSTEM

### NEW ERA IN "A" CLASS THICKNESS & TRIPLE SEALING SYSTEM

#### SELENIT SELECTIVE STRONG & SELENIT STRONG

Designed at the highest level of performance and durability standards, the Selenit Selective Strong, which has triple seal system and Class A wall thickness and the Selenit Strong, again with triple seal system, offer a new window for modern structures. The series were developed for those who were looking for a solution that captures the zeitgeist under the changing life culture and living space concepts. The Selenit Selective Strong offers a complete system with its Class A wall thickness, 75-millimeter profile width, 6 chambers design and 3rd seal option, which enable it to achieve the highest levels of performance. The series offer alternative solutions for architectural and decorative needs of your house with their 21 different colour options and aesthetical edges. The series develop different alternatives that are compatible with your furniture, wall color and the outer facade of the buildings.

### QUALITY IN HARMONY WITH AESTHETICS AND PERFORMANCE SYSTEM

- ✓ All system profiles of the Selenit Selective Strong and Selenit Strong Series have a width of 75 millimeters. The Selenit Selective Strong Series has Class A wall thickness and triple sealing system while the Selenit Strong Series has Class B wall thickness and triple sealing system.
- ✓ Together with the auxiliary profiles that are integrated into the main profiles, it aims to bring a solution to each architectural and technical detail.
- ✓ Triple glazing up to 44 mm thickness can be applied.
- ✓ The system is suitable for usage with 13-axis espagnolettes.

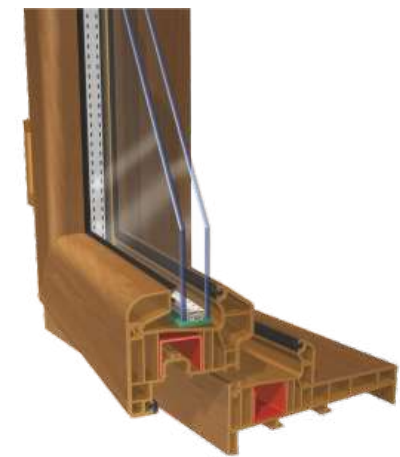
- ✓ The resistance values of the system enable its usage on high-rise structures.
- ✓ The lamination which comes in 21 different colors and textures provides you a choice for both indoor and outdoor use.

### TECHNOLOGY AND DESIGN ARE UNITED IN SELENIT SELECTIVE STRONG AND SELENIT STRONG WIND LOAD RESISTANCE

- ✓ During the design stage of Selenit Selective Strong and Selenit Strong, the moments of inertia of the reinforcement steels to be used within the system and the relevant "wind load resistance" were minded at the highest level.
- ✓ The Selenit Selective Strong and Selenit Strong offer new solutions that can be utilized safely to provide coverage for high-rise structures and wide spaces.
- ✓ The box profiles in the system can easily meet the ideal resistance values required for coverage of wide spaces in respect to architectural design.
- ✓ The high endurance values of the Selenit Selective Strong and Selenit Strong Series passed the (3.000 Pa 245 km/h) safety test successfully and was categorized in class C3 in regard to wind load resistance.

### FOR THOSE WHO SEEK A DIFFERENT SOLUTION FOR NEW GENERATION STRUCTURES WATER AND AIR IMPERMEABILITY

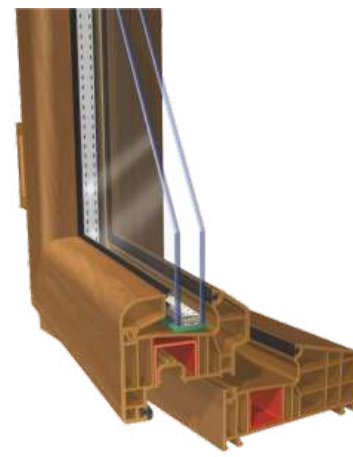
- ✓ In order to minimize air and water permeability, Selenit Selective Strong and Selenit Strong series were designed with a triple sealing system.
- ✓ Prevention of air passage from outdoors to indoors, which is necessary for energy saving, was improved with a middle seal in addition to inner and outer seals.
- ✓ The profiles were designed with a slope and appropriate for drainage channels with the aim of discharging the rainwater that may leak into the system.
- ✓ The Selenit Selective Strong and Selenit Strong did not let any water inside and proved its high quality while under tests carried out with 600 Pa (110 km/h) wind load and 4 liters of rainwater per minute.



French Frame Profile



Aluminium Sill System



Dutch Frame Profile

### MORE COMFORT WITH OUTSTANDING "HEAT AND SOUND INSULATION" HEAT INSULATION

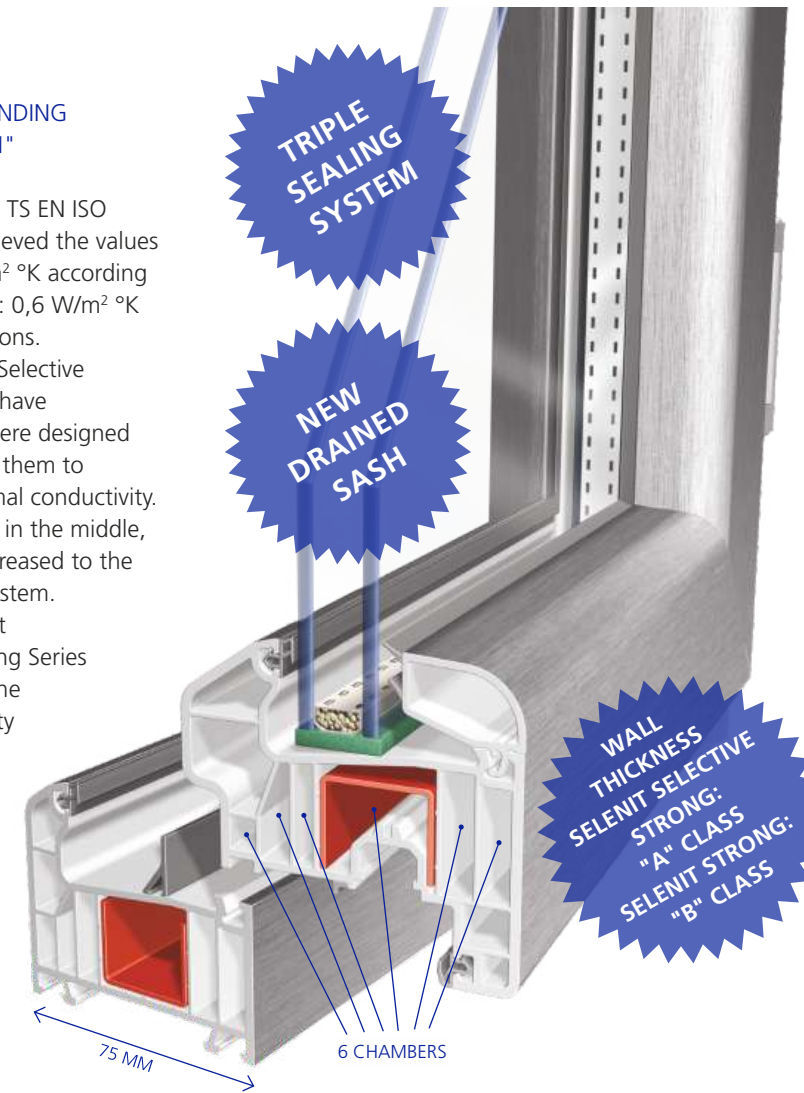
- ✓ In accordance with the standard TS EN ISO 10077-2, the Selenit System achieved the values  $U_f: 1,02 \text{ W/m}^2 \text{ }^\circ\text{K}$  -  $U_{wv}: 0,94 \text{ W/m}^2 \text{ }^\circ\text{K}$  according to the results of the test with  $U_g: 0,6 \text{ W/m}^2 \text{ }^\circ\text{K}$  glass of 1,23 m x 1,43 m dimensions.
- ✓ The main profiles of the Selenit Selective Strong and Selenit Strong Series have 6 chambers and the chambers were designed as wide as possible. This enables them to minimize the coefficient of thermal conductivity.
- ✓ Owing to the 3rd seal (optional) in the middle, the insulation performance is increased to the highest level possible in a PVC system.
- ✓ The profile designs of the Selenit Selective Strong and Selenit Strong Series were made as for the values of the coefficient of thermal conductivity to be at minimum levels.

### SOUND INSULATION

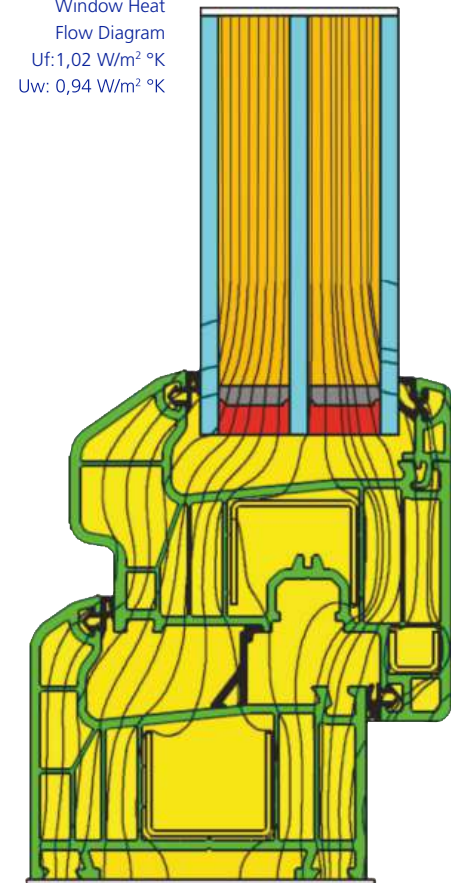
- ✓ The high sound insulation properties of the Selenit Selective Strong and Selenit Strong Series provide the noiseless environment that is necessary for life quality in the best way.
- ✓ The glasses with acoustic properties which will be used in the Selenit Selective Strong and Selenit Strong Series make it possible to reach sound insulation levels as high as 43 dB.
- ✓ The Selenit Selective Strong and Selenit Strong Series ensure normal noise levels even in environments such as airports, railroads, etc. where sound levels are very high.

### SELENIT SILL SYSTEM

The Selenit Sill System is designed to eliminate the height created by the lower frame of the Selenit door system, and provide an aesthetic appearance. By means of the aluminum sill profile, inner plastic sill profile and the sill bead utilized in this system, the sill system's weakness in heat insulation is eliminated. Moreover, aesthetic integrity is also maintained while rapid discharge of water and rain that can penetrate from the outside is ensured by means of the aluminum dripstone profile mounted on the door.



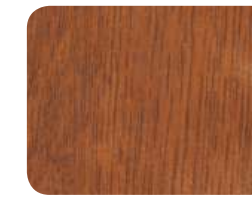
Window Heat Flow Diagram  
 $U_f: 1,02 \text{ W/m}^2 \text{ }^\circ\text{K}$   
 $U_w: 0,94 \text{ W/m}^2 \text{ }^\circ\text{K}$



## COLOUR AND DESIGN CHART



GOLDEN OAK



OAK



MAHOGANY



DARK OAK



EICHE RUSTICAL



DARK GREEN



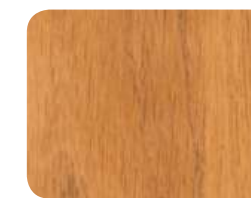
WALNUT



ANTEAK



ANTHRACITE



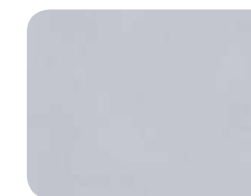
CEDAR



WINCHESTER



STEEL BLUE



GREY



CREAM WHITE



WHITE



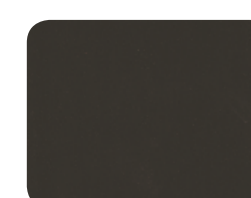
SILVER BRUSH EFFECT



TROMPET



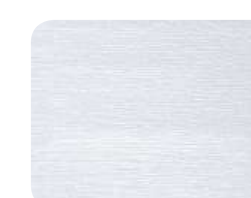
MACORE



BLACK



SILVER D (SILVER GREY)



ALUMINIUM BRUSH EFFECT

PROFILE WIDTH  
75 mm

WALL THICKNESS  
SELENIT SELECTIVE STRONG  
"A" CLASS  
SELENIT STRONG  
"B" CLASS

NUMBER OF SEALS  
3

NUMBER OF CHAMBERS  
6 pcs

SOUND INSULATION  
43 db

AIR PERMEABILITY  
CLASS 4

WATER IMPERMEABILITY  
CLASS 9A

PROFILE HEAT INSULATION  
 $1,02 \text{ W/m}^2 \text{ }^\circ\text{K}$

WINDOW HEAT INSULATION  
 $0,94 \text{ W/m}^2 \text{ }^\circ\text{K}$

WIND LOAD RESISTANCE CLASS  
CLASS C3

GLASS THICKNESS  
20, 24, 32, 42, 44 MM

The calculations were made by using a glass unit with a thermal conductivity coefficient of  $0,6 \text{ W/m}^2 \text{ }^\circ\text{K}$  for a window with dimensions of 1,23x1,43 m in accordance with the standard TS EN ISO 10077-2.



## SELENIT STRONG SERIES PROFILES

