

FIRAT

SHUTTERBOX
Roller Blinds System

TECHNICAL

CATALOGUE

03 Profiles

04 Injection Products

06 Others Products

07 Shutter Boxes

10 Box Winding Dimension

13 Cutting And Materiel List

15 Preparation Of Lateral Cover

16 Preparation Of The Box

22 Rails And Slats

23 Support Profiles For Box

24 Box Application 155x155 mm

25 Box Application 195x195

26 Box Application 220x220

27 Box Application 155x155 mm

29 Box Application 195x195

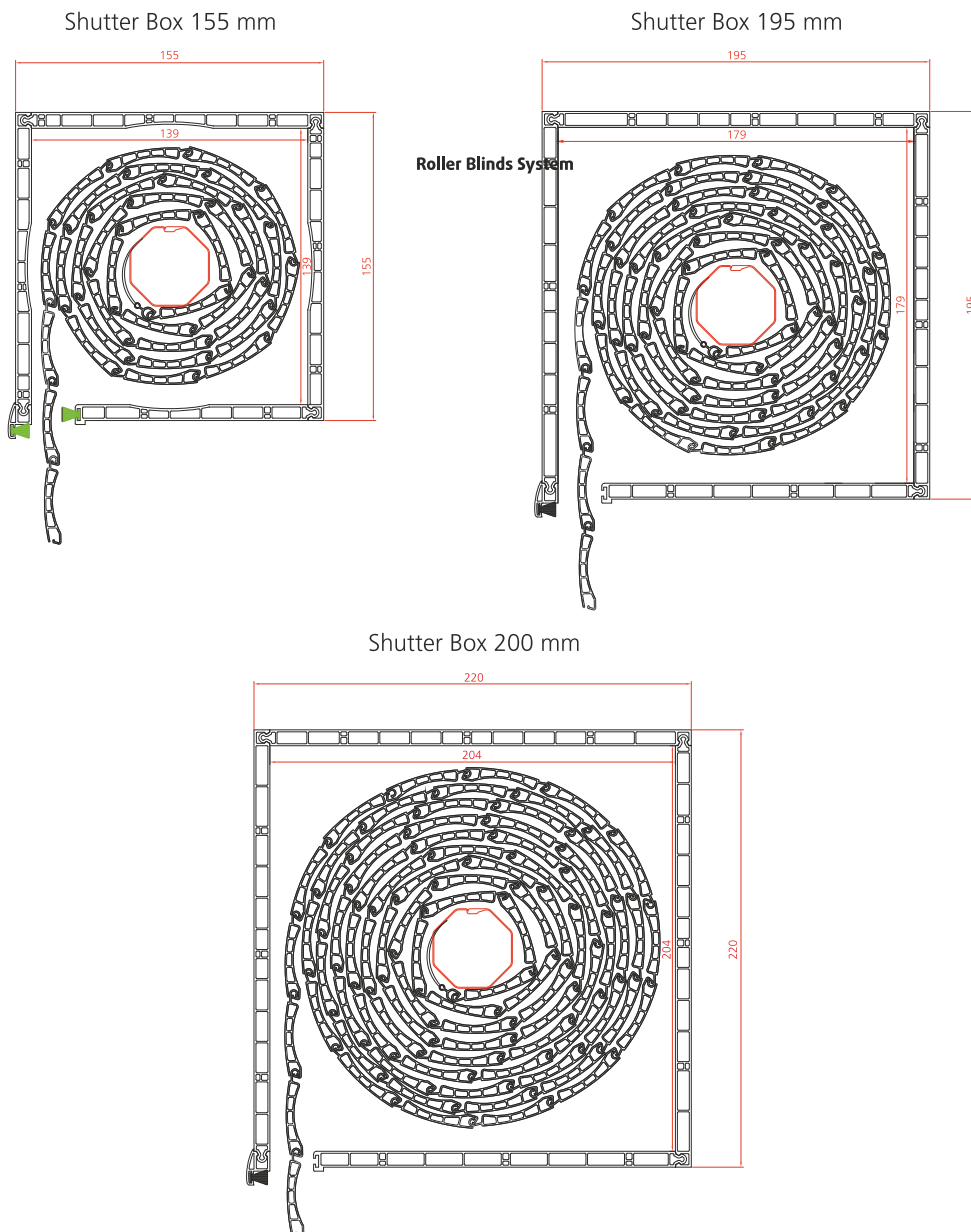
32 Box Application 220x220

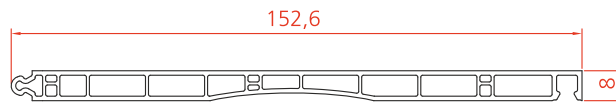
Shutterbox Roller Blind System which is perfect for all types of projects, is applied to the windows and do not float on the exterior surface of the building. Lamination options, aesthetic views and functional structure provide solutions to your architectural decorative expectations.

Shutterbox Roller Blind System consists of 3 systems of boxes of different sizes:

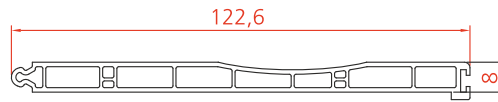
1. 155 mm Shutter Box
2. 195 mm Shutter Box
3. 220 mm Shutter Box

- ✓ Shutterbox System is designed to combine all sizes of doors and windows from the highest openings to the lowest openings with 3 different types of box sizes.
- ✓ Shutterbox System is suitable for using PVC and aluminum covers up to 37 mm to 55 mm.
- ✓ The system can be applied to sliding systems, thanks to its complementary profiles and is designed to be suitable with mosquito nets and folds.
- ✓ With Shutterbox systems, you can operate your blinds with buttons or controls thanks to the motors that can be used in the box.
- ✓ Shutterbox System add value to the structure where it is applied thanks to its thermal and acoustic insulation and additional security against thieves.

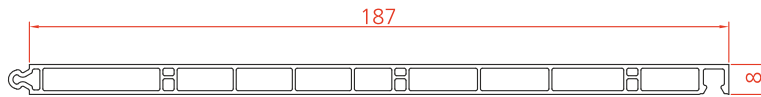




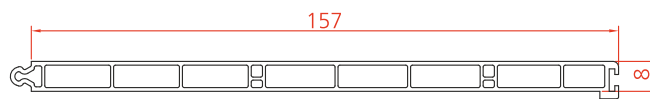
Box Profile 155 mm



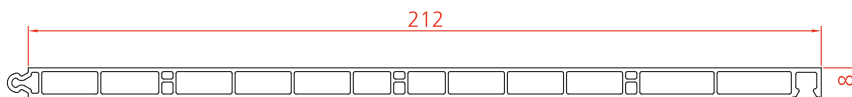
Box Bottom Profile 155 mm



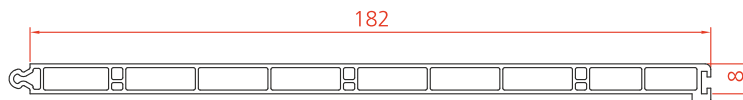
Box Profile 195 mm



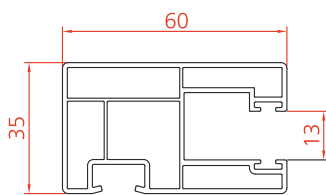
Box Bottom Profile 195 mm



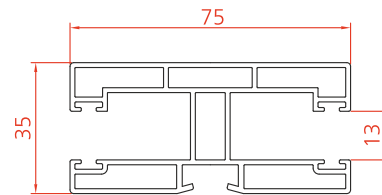
Box Profile 220 mm



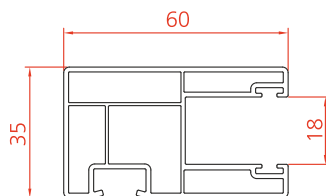
Box Bottom Profile 220 mm



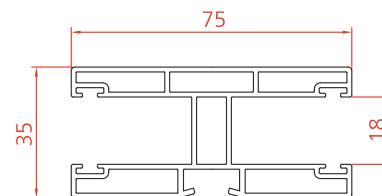
39 mm Guide Rail



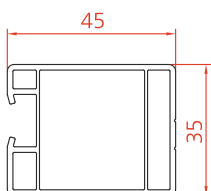
39 mm Central Rail



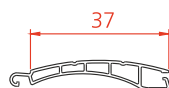
55 mm Guide Rail



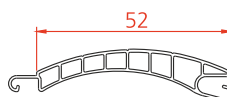
55 mm Central Rail



Fly Swatter Adapting Profile



PVC Slat 37 mm



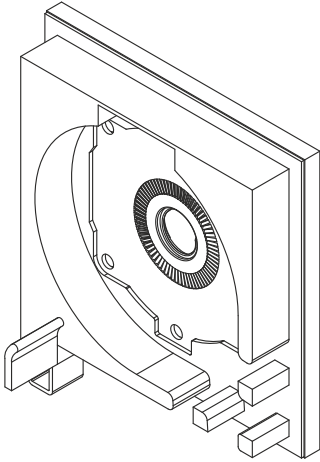
PVC Slat 52 mm



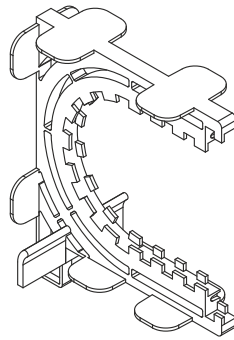
Closing Plate



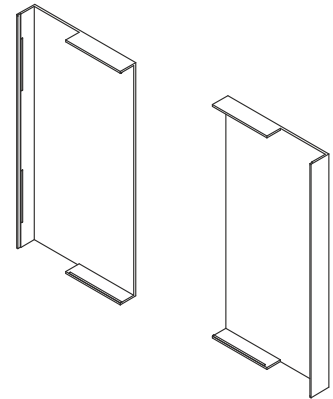
Aluminum Closing Plate



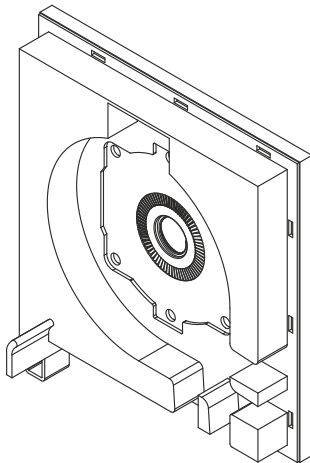
155 mm Lateral Box Cover



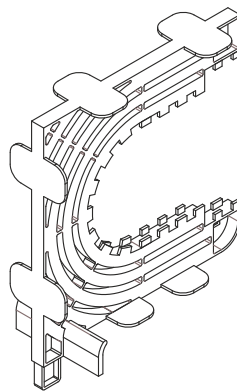
155 mm Central Channel in Box



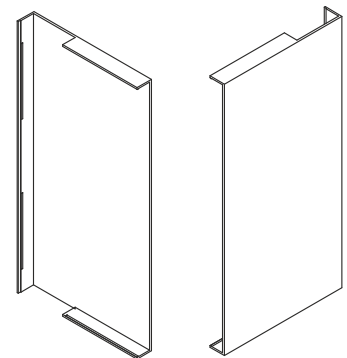
155 mm External Box Cover



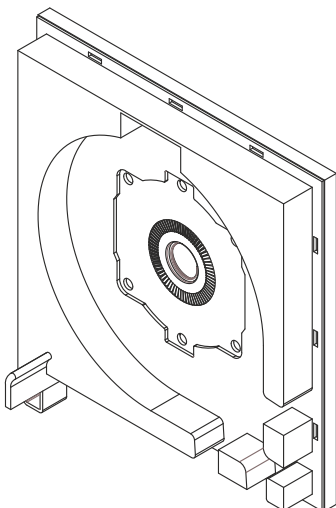
195 mm Lateral Box Cover



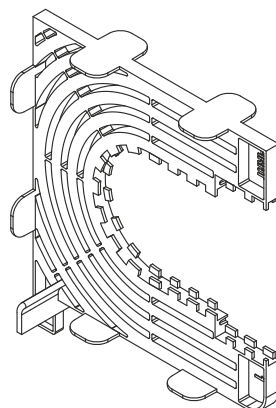
195 mm Central Channel in Box



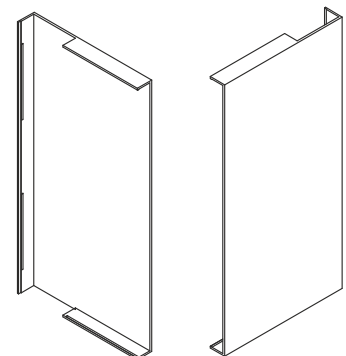
195 mm External Box Cover



220 mm Lateral Box Cover



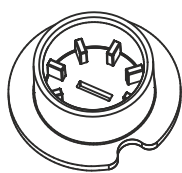
220 mm Central Channel in Box



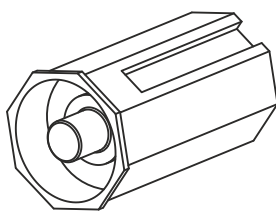
220 mm External Box Cover



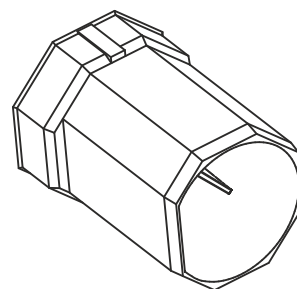
Strap Guide



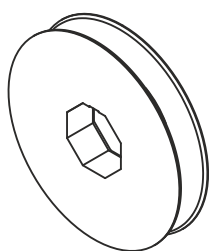
Bearing Case



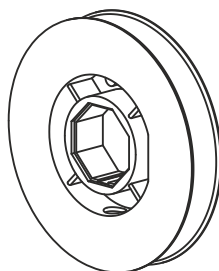
40 mm Pipe Head



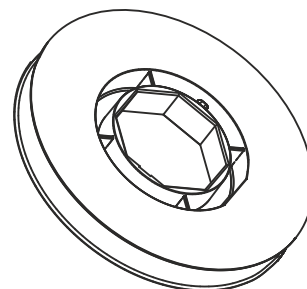
60 mm Pipe Head



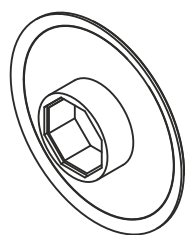
155 mm Cord Reel



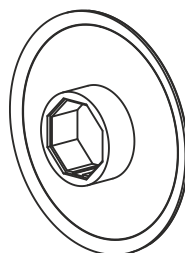
40 mm Cord Reel



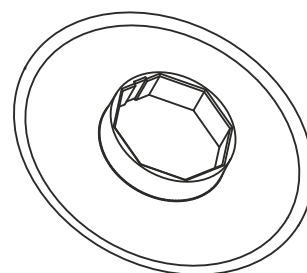
60 mm Cord Reel



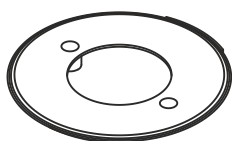
155 mm Fixing Disc



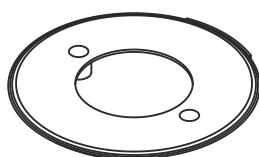
40 mm Fixing Disc



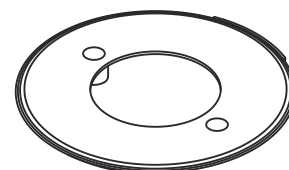
60 mm Fixing Disc



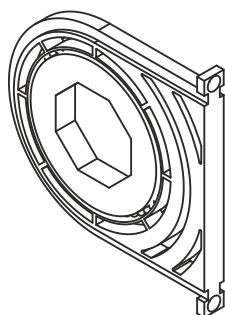
155 mm Motor Support Cover



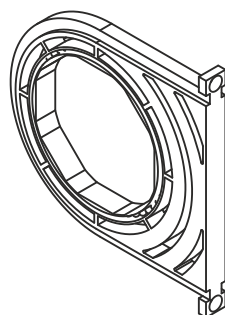
195 mm Motor Support Cover



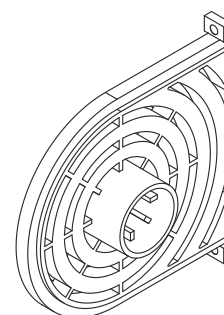
220 mm Motor Support Cover



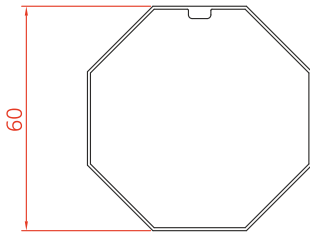
40 mm Center Channel with bearing



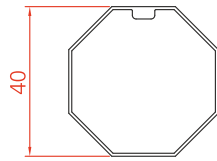
60 mm Center Channel with bearing



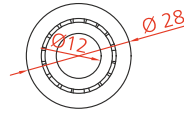
Center Channel without bearing



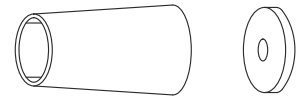
60 mm Pipe



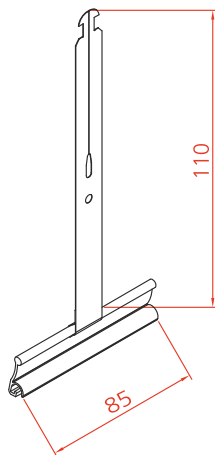
40 mm Pipe



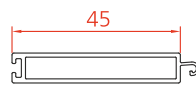
Bearing Ball



Slat Stopper



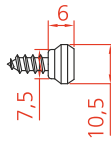
Steel Hanger



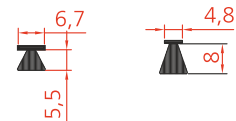
Aluminium Density Slat



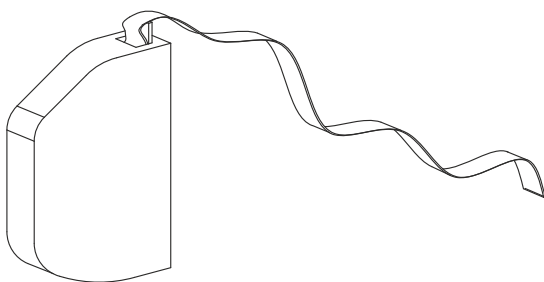
Slat Plug
(39 - 41 - 45 - 55)



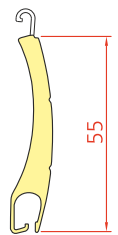
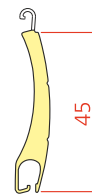
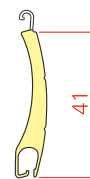
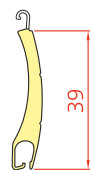
Capscrew



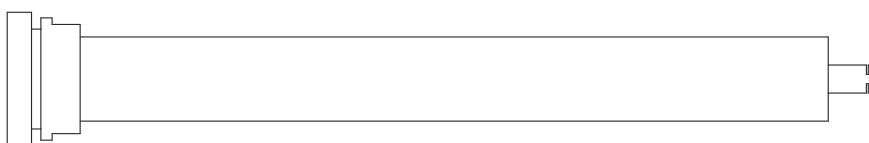
Brush



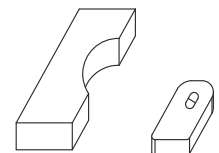
Cord Reel



Aluminium Slats

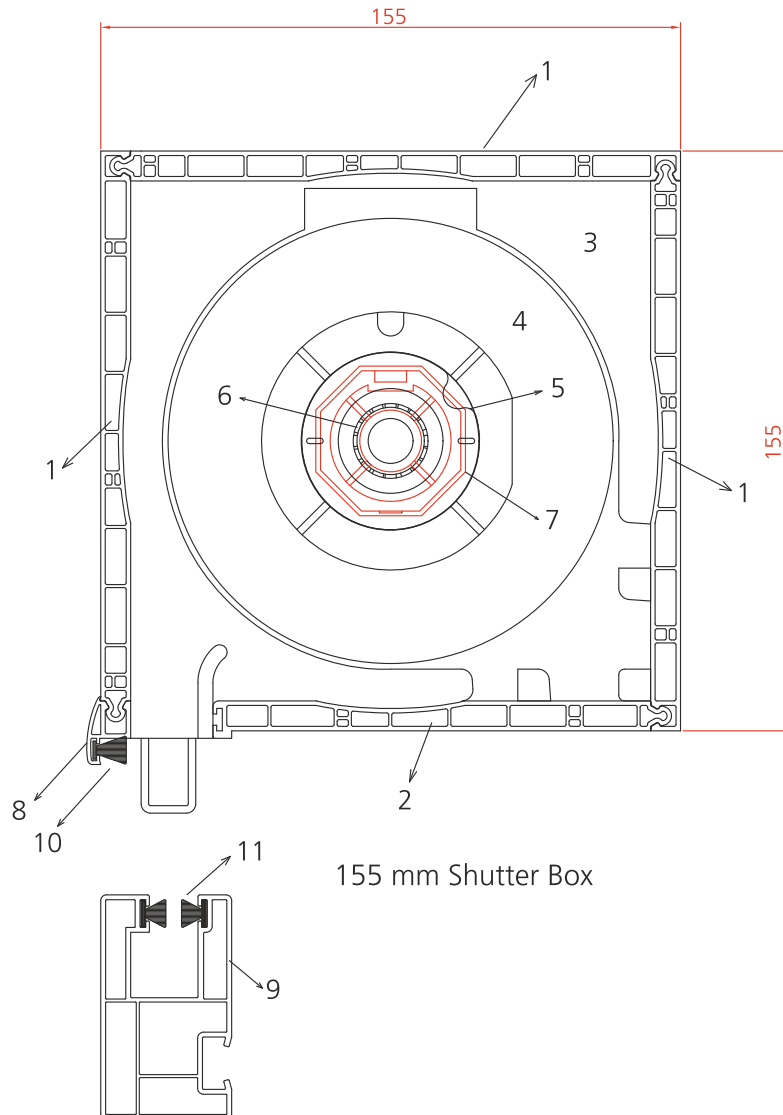


Shutterbox Motor



Remote Control

The shutter motors are divided into two main groups: 60 and 40. These motors are also classified according to torque (power) and speed, according to the weight of the slats. These criteria must be evaluated when selecting the motor. In addition, the motors of the shutter can be controlled by remote control with the help of the receiver and the transmitter.

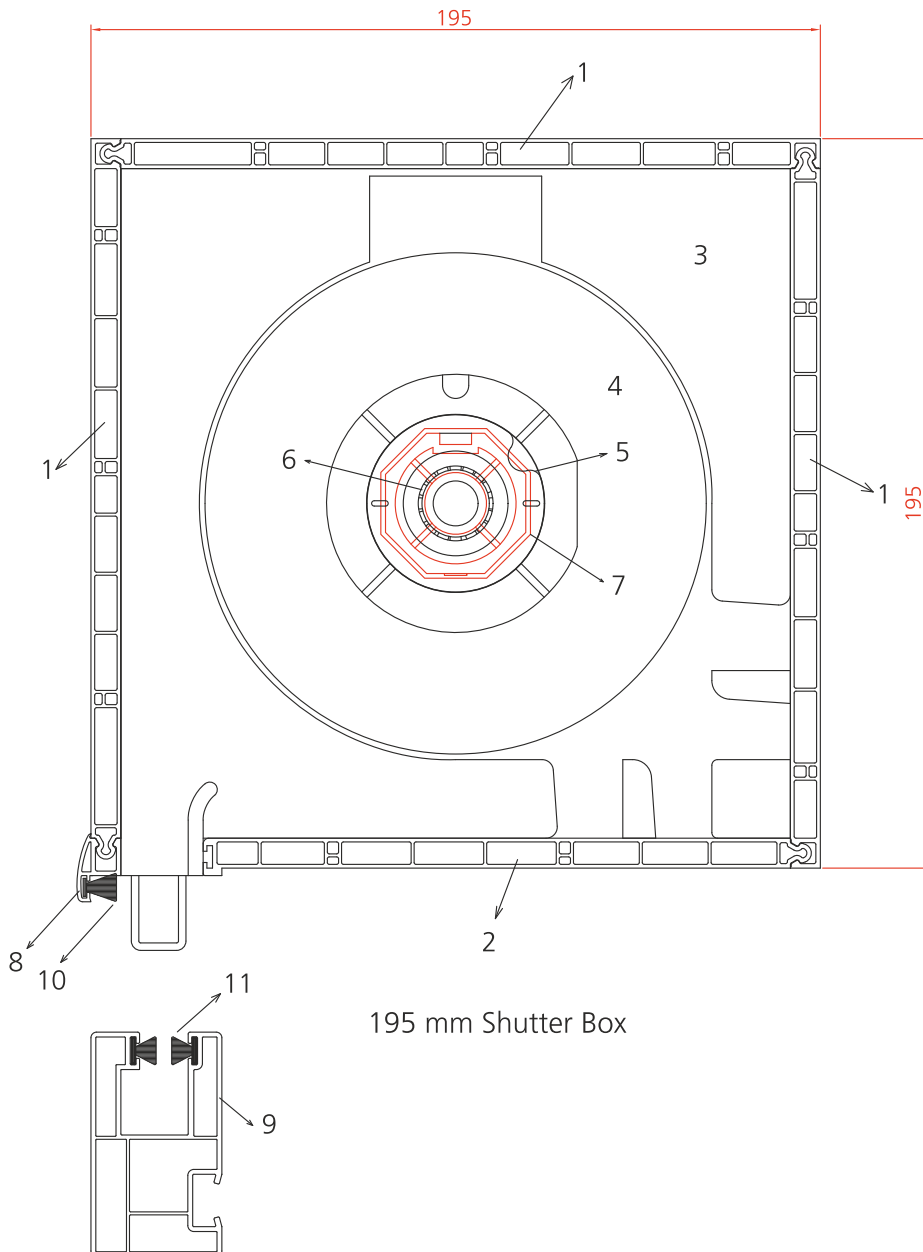


155 mm Shutter Box

Features of the 155 mm louver drawer:

- 1-** The external dimension of the box is 155 x 155 mm.
- 2-** It is suitable for window applications.
- 3-** The length of the winding is 160'cm. (Excluding the box)
- 4-** Suitable for use with 37 mm PVC slats and 39 mm aluminum slats.
- 5-** The profiles of the lateral rail and central rail of all the boxes are common.
- 6-** 22 different colors of laminate coating are applied.
- 7-** Motor application of 40 can be done.
- 8-** The system is suitable for the use of 40 mm tubes.
- 9-** When using the fly swatter adapting profile, pleated fly swatter can be applied.
- 10-** The blinds can be applied to sliding systems using a fly swatter adapter profile.

Number	Product Name
1	155 mm Shutter Box Profile
2	155 mm Shutter Box Bottom Profile
3	155 mm Lateral Box Cover
4	Cord Reel
5	Bearing Case
6	Bearing
7	Tube Head
8	Closing Plate
9	Lateral Rail Profile
10	4.8x8 mm Brush
11	6,7x5 mm Brush

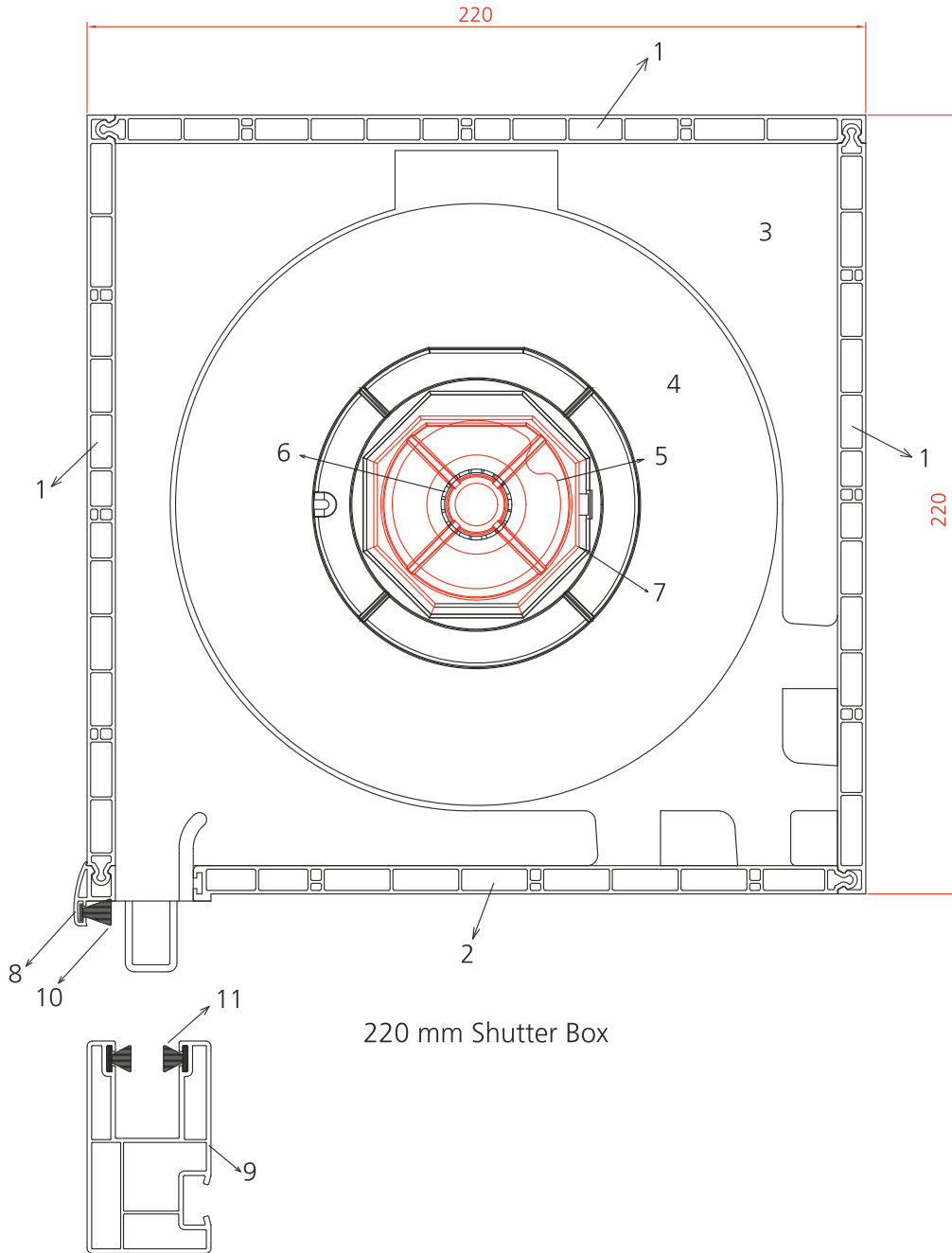


195 mm Shutter Box

Features of the roller blind 195 mm:

- 1-** The external dimension of the box is 155 x 155 mm.
- 2-** It is suitable for window applications.
- 3-** The length of the winding is 160'cm. (Excluding the box)
- 4-** Suitable for use with 37 mm PVC slats and 39 mm aluminum slats.
- 5-** The profiles of the lateral rail and central rail of all the boxes are common.
- 6-** 22 different colors of laminate coating are applied.
- 7-** Motor application of 40 can be done.
- 8-** The system is suitable for the use of 40 mm tubes.
- 9-** When using the fly swatter adapting profile, pleated fly swatter can be applied.
- 10-** The blinds can be applied to sliding systems using a fly swatter adapter profile.

Number	Product Name
1	195 mm Shutter Box Profile
2	195 mm Shutter Box Bottom Profile
3	195 mm Lateral Box Cover
4	Cord Reel
5	Bearing Case
6	Bearing
7	Tube Head
8	Closing Plate
9	Lateral Rail Profile
10	4.8x8 mm Brush
11	6,7x5 mm Brush

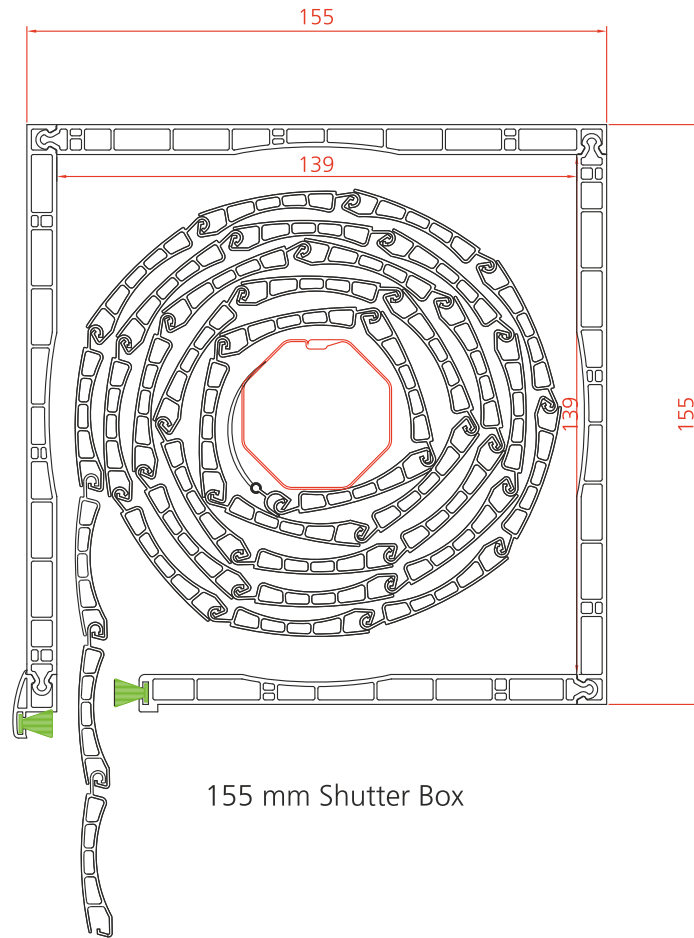


220 mm Shutter Box

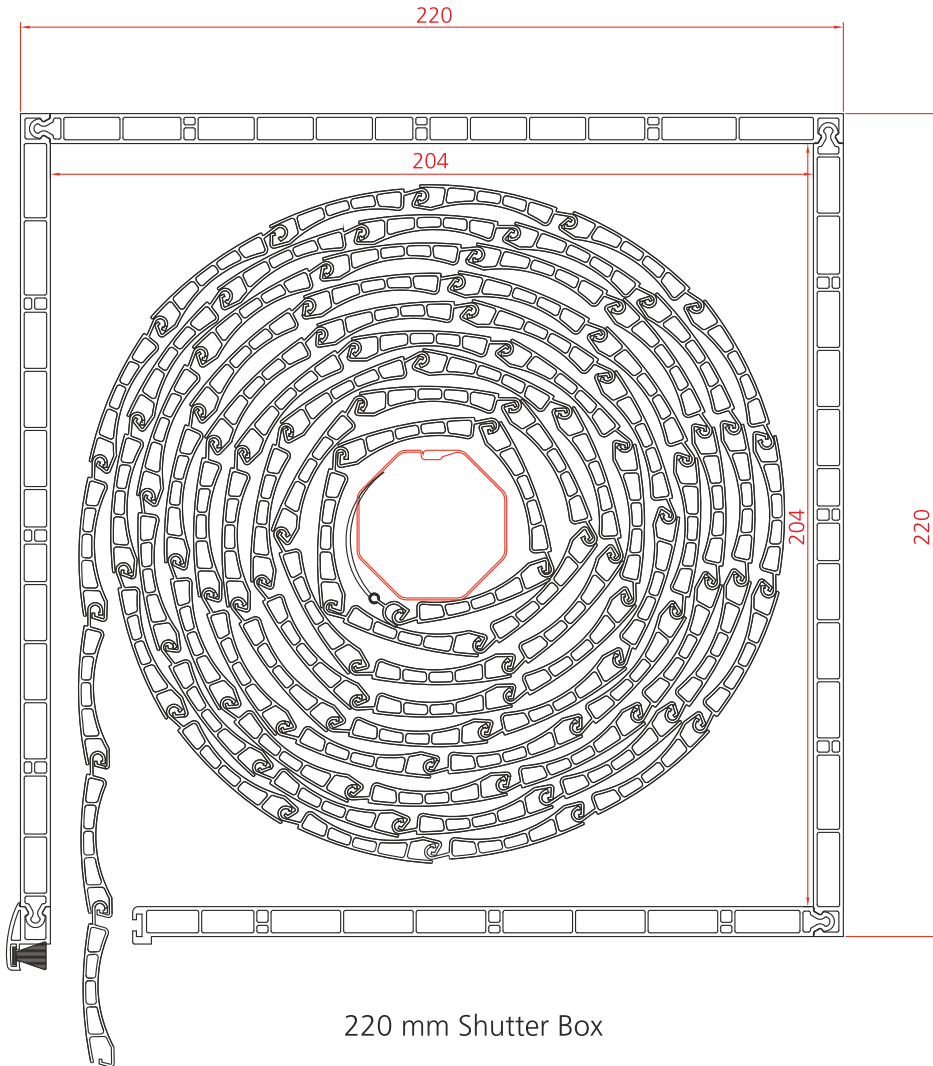
Characteristics of the Shutter Box 220 mm:

- 1- The size of the box is 220 X 220 mm.
- 2- It can be applied to all windows and doors systems.
- 3- The length of the winding is 400'cm. (With the slats in pvc of 39). The other amounts of the windings with other slats are given in tables.
- 4- Suitable for slats in PVC of 37-52 mm and aluminum slats of 39-41-45-55 mm.
- 5- The lateral rail and central rail profiles of all the boxes are common.
- 6- 22 different lamination colors are available.
- 7- Motors of 40 -60 application can be made.
- 8- The system is suitable for pipe applications of 40 and 60.
- 9- When using the fly swatter adapting profile, pleated fly swatter can be applied.
- 10- The blinds can be applied to sliding systems using a fly swatter

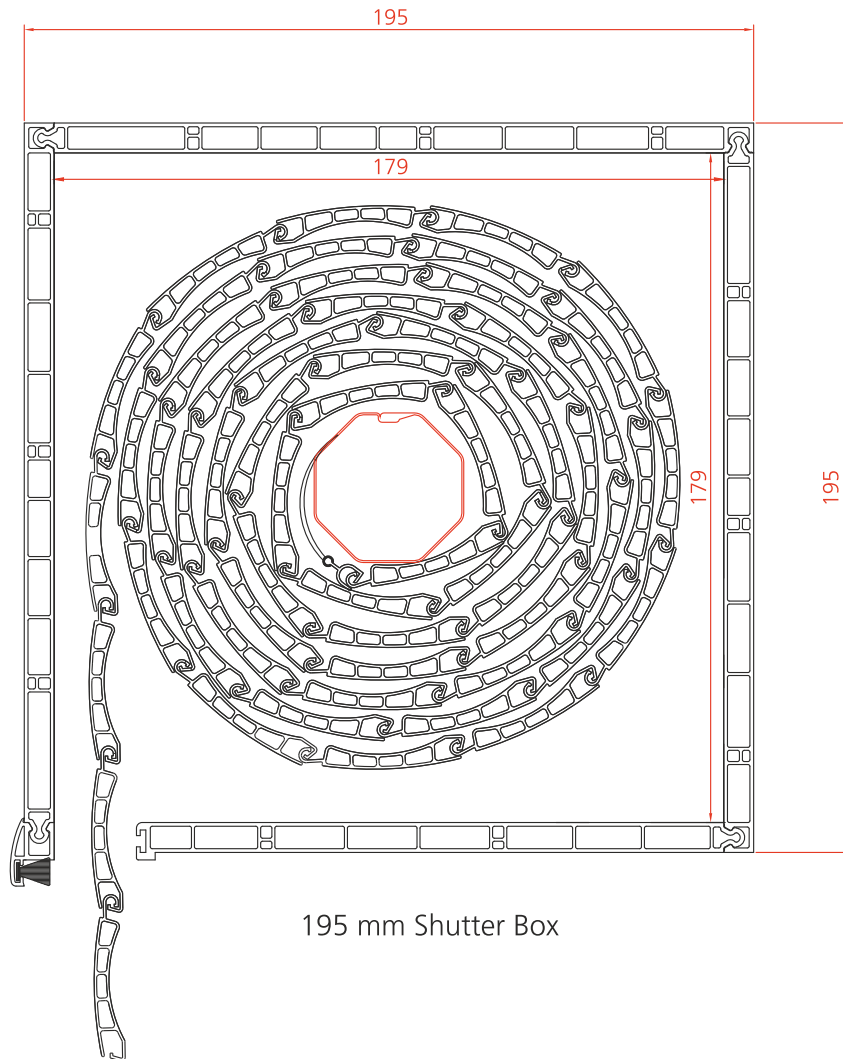
Number	Product Name
1	220 mm Shutter Box Profile
2	220 mm Shutter Box Bottom Profile
3	220 mm Lateral Box Cover
4	Cord Reel
5	Bearing Case
6	Bearing
7	Tube Head
8	Closing Plate
9	Lateral Rail Profile
10	4.8x8 mm Brush
11	6,7x5 mm Brush



Slats Type	Pipe Type (mm)	The Maximum Winding Length (Excluding the Box) (mm)	Maximum Width (mm)
37 mm PVC Slat	40	1.600	1.200
39 mm Alm. Slat	40	1.600	2.000





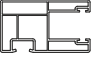




Slats Type	Pipe Type (mm)	The Maximum Winding Length (Excluding the Box) (mm)	Maximum Width (mm)
37 mm PVC Slat	40	4.000	1.200
	60	4.000	
52 mm PVC Slat	60	1.800	1.500
39 mm Alm. Slat	40	4.000	2.000
	60	4.000	
41 mm Alm. Slat	40	3.250	2.000
	60	3.250	
45 mm Alm. Slat	40	3.250	2.000
	60	3.250	
55 mm Alm. Slat	60	2.000	2.200

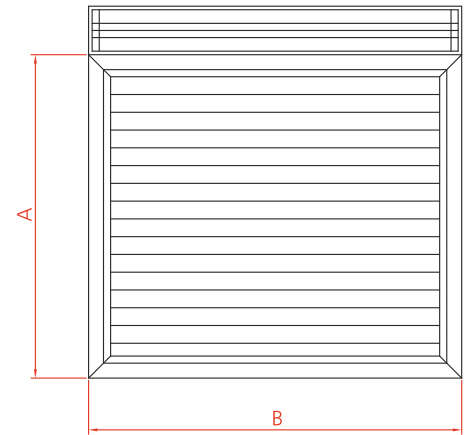


195 mm Shutter Box

Slats Type	Pipe Type (mm)	The Maximum Winding Length (Excluding the Box) (mm)	Maximum Width (mm)
37 mm PVC Slat	40	3.000	1.200
	60	2.900	
52 mm PVC Slat	60	2.000	1.500
39 mm Alm. Slat	40	3.000	2.000
	60	2.700	
41 mm Alm. Slat	40	2.200	2.000
	60	2.000	
45 mm Alm. Slat	40	2.000	2.000
	60	2.000	
55 mm Alm. Slat	60	1.750	2.200


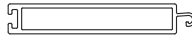
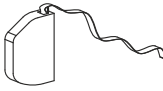

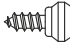
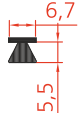
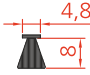
Roller Bilinds Box – Single Piece

Product	Description	Cutting Measurements	Quantity
	Shutter Box Profile	B - 18 mm	3
	Shutter Box Bottom Profile	B - 18 mm	1
	Lateral Rail (39 or 55 mm)	A	2
	Closing Plate (PVC or Aluminium)	B - 18 mm	1
	Pipe (40 or 60)	B - 90 mm	1
	37 mm PVC Slat	B - 73 mm	$(A / 37) + 2$
	52 mm PVC Slat		$(A / 52) + 2$
	39 mm Alm. Slat	B - 83 mm	$(A / 39) + 2$
	55 mm Alm. Slat		$(A / 55) + 2$



A : Height of Window (Excluding the Box)
B : Window Width



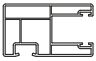
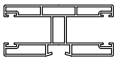

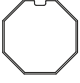


	Lateral Cover	2
	External Box Cover	4
	Pipe Head (40 or 60)	2
	Strap Guide	1
	Cord Reel (40 or 60)	1
	Bearing House	2
	Fixing Disc (40 or 60)	1
	Bearing Ball	2
	Steel Hanger	1 Piece Per 50 cm

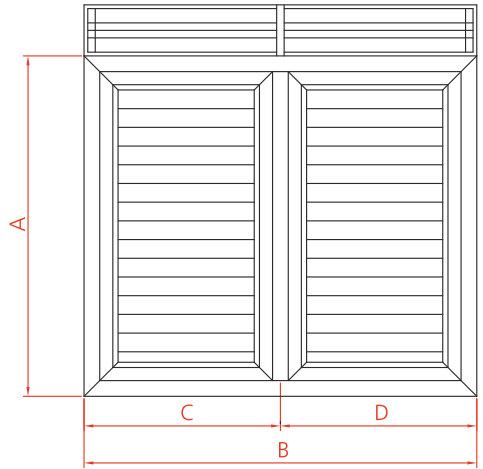
	Slat Stopper	2
	Aluminium Density Slat	1 Up to Slat Length
	Cord Reel	1
	Slat Plug	Up to Slat Number
	Capscrew	$(A - 500)$ Piece
	6,7 x 5,5 Brush	Ax4 mm
	4,8 x 8 Brush	B - 18 mm

Note: In the 195 mm roller shutter box, Pipe of 60 can only be used for motorized roller shutter applications.

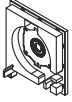

When you want to apply motorized roller shutter, do not use cord reel and strap guide. In addition to these materials, suitable shutter motors and optionally remote control are used.


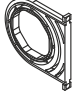


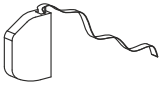

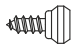
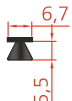
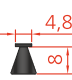
Shutter Box - Movement of Two Chambers.

Product	Description	Cutting Measurements		Quantity
	Shutter Box Profile	B - 18 mm		3
	Shutter Box Bottom Profile	B - 18 mm		1
	Lateral Rail (39 or 55 mm)	A		2
	Orta Rail (39 or 55 mm)	A		1
	Closing Plate (PVC or Aluminium)	B - 18 mm		1
	Pipe (40 or 60)	B - 90 mm		1
	37 mm PVC Slat	1 Chamber	C-48 mm	(A / 37) + 2
	52 mm PVC Slat	2 Chamber	D-48 mm	(A / 52) + 2
	39 mm PVC Slat	1 Chamber	C-56 mm	(A / 39) + 2
	55 mm PVC Slat	2 Chamber	D-56 mm	(A / 55) + 2











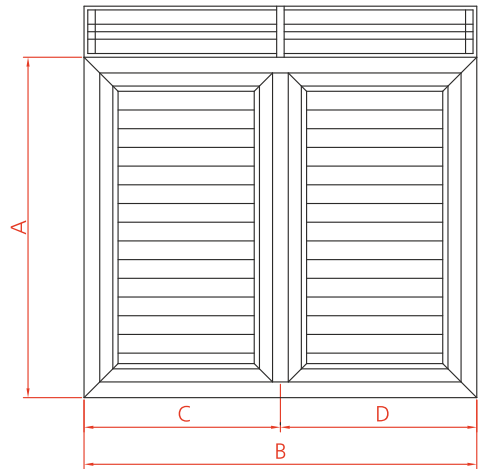
A : Height of Window (Excluding the Box)
 B : Window Width
 C : 1. Chamber Width
 D : 2. Chamber Width

	Lateral Cover	2
	External Box Cover	4
	Pipe Head (40 or 60)	2
	Strap Guide	1
	Cord Reel (40 or 60)	1
	Bearing House	2
	Fixing Disc (40 or 60)	1
	Bearing Ball	2
	Steel Hanger	1 Piece Per 50 cm

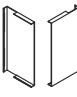
	Central Channel Inside Box	1
	Central Channel Without Bearing (40 or 60)	4
	Slat Stopper	4
	Aluminium Density Slat	2 Up to Slat Length
	Cord Reel	1
	Slat Plug	Up to Slat Number
	Capscrew	(A - 500) Piece
	6,7 x 5,5 Brush	Ax4 mm
	4,8 x 8 Brush	B -18 mm

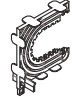
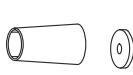

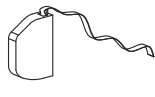
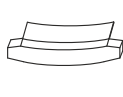
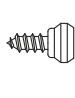
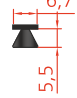
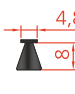
Shutter Box - Movement of Two Chambers.

Product	Description	Cutting Measurements		Quantity
	Shutter Box Profile	B - 18 mm		3
	Shutter Box Bottom Profile	B - 18 mm		1
	Lateral Rail (39 or 55 mm)	A		2
	Orta Rail (39 or 55 mm)	A		1
	Closing Plate (PVC or Aluminium)	B - 18 mm		1
	Pipe (40 or 60)	1 Chamber	C-88 mm	1
		2 Chamber	D-88 mm	1
	37 mm PVC Slat or 52 mm PVC Slat	1 Chamber	C-48 mm	$(A / 37) + 2$
		2 Chamber	D-48 mm	$(A / 52) + 2$
	39 mm PVC Slat or 55 mm PVC Slat	1 Chamber	C-56 mm	$(A / 39) + 2$
		2 Chamber	D-56 mm	$(A / 55) + 2$

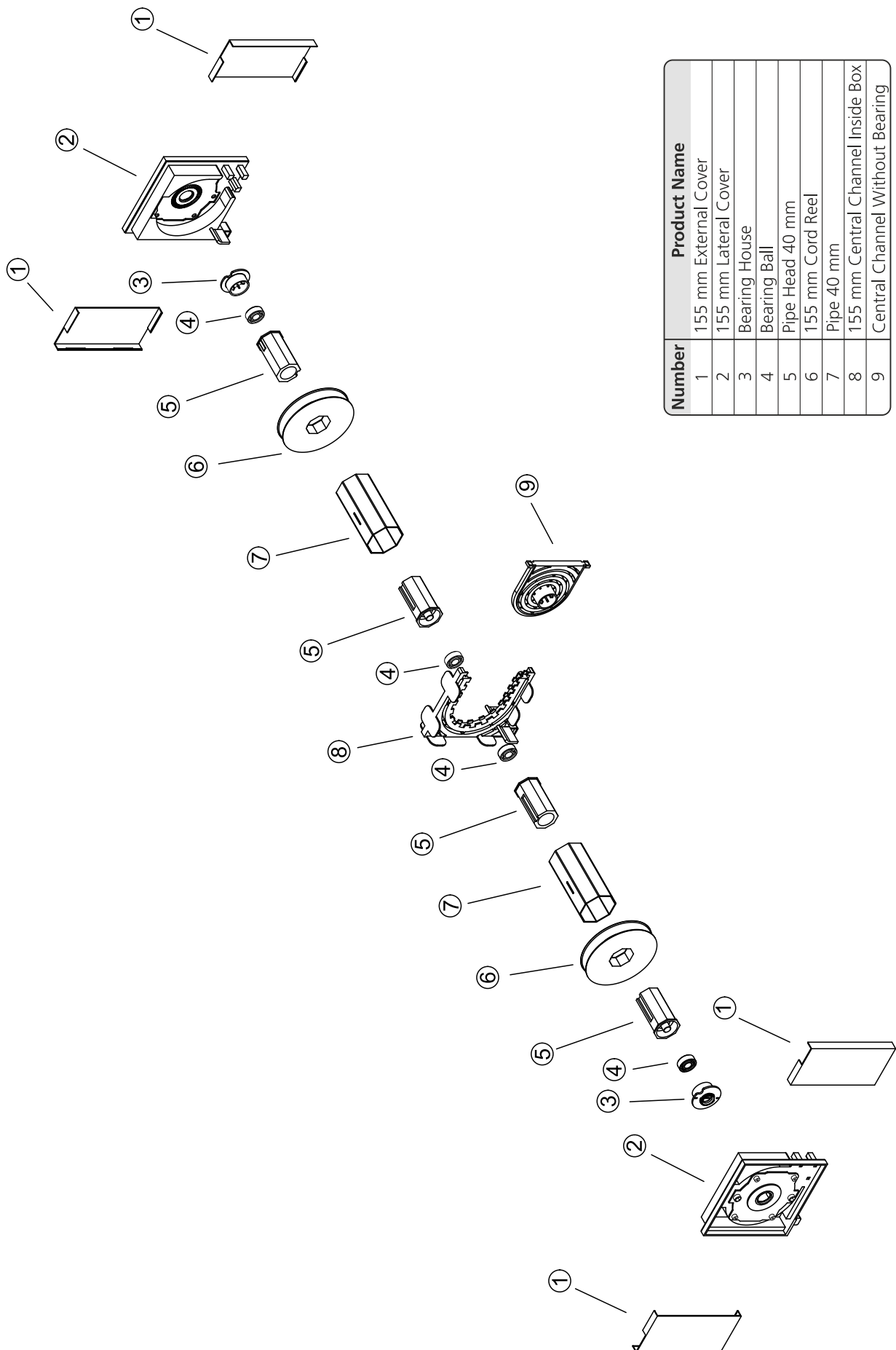


A : Height of Window (Excluding the Box)
 B : Window Width
 C : 1. Chamber Width
 D : 2. Chamber Width

	Lateral Cover	2
	External Box Cover	4
	Pipe Head (40 or 60)	4
	Strap Guide	2
	Cord Reel (40 or 60)	2
	Bearing House	2
	Central Channel Without Bearing	1
	Bearing Ball	4
	Steel Hanger	1 Piece Per 50 cm

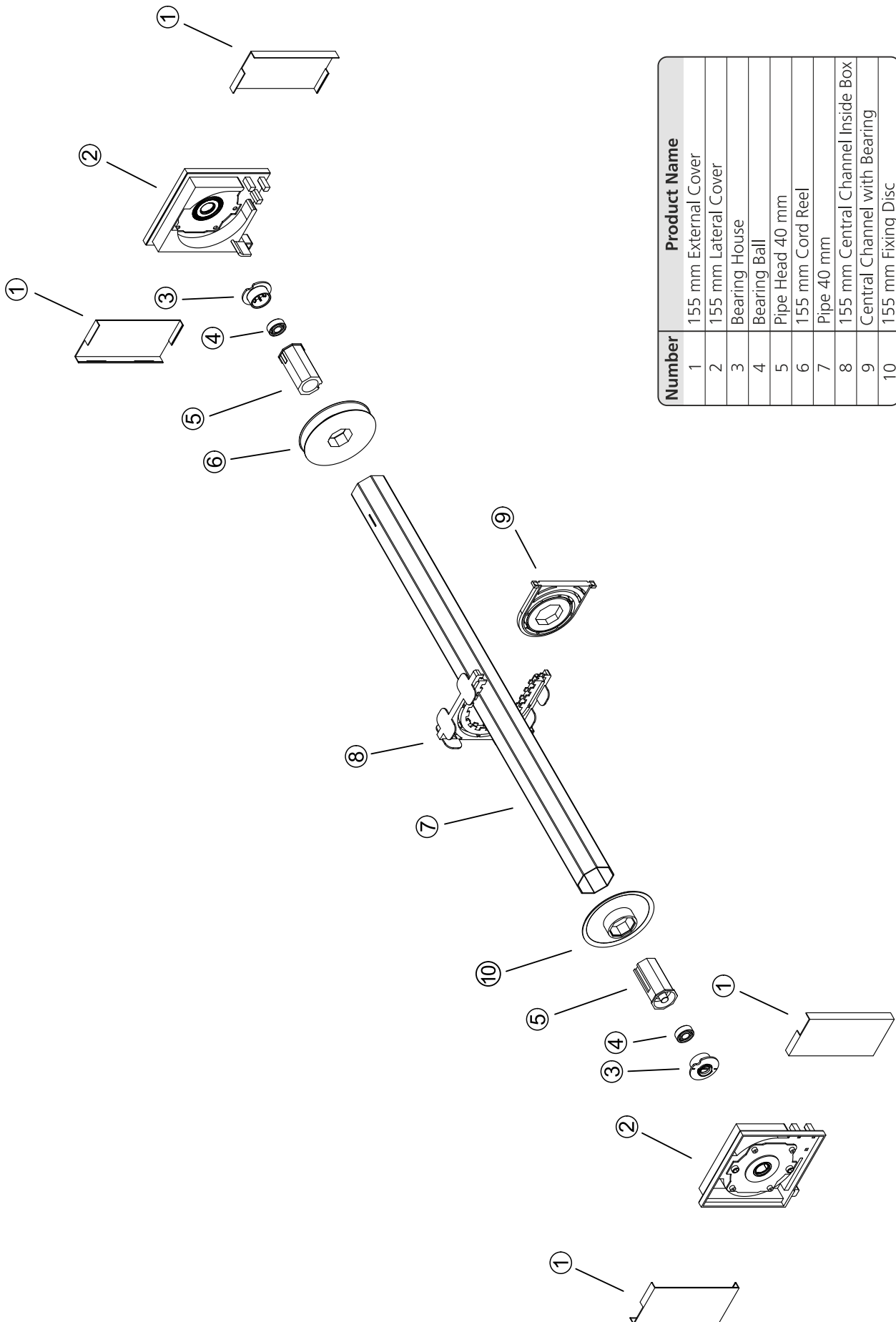
	Central Channel Inside Box	1
	Slat Stopper	4
	Aluminium Density Slat	2 Up to Slat Length
	Cord Reel	2
	Slat Plug	Up to Slat Number
	Capscrew	2
	6,7 x 5,5 Brush	1
	4,8 x 8 Brush	4

Shutter Box 155 mm – Two Chambers – The Chambers can Move Separately.



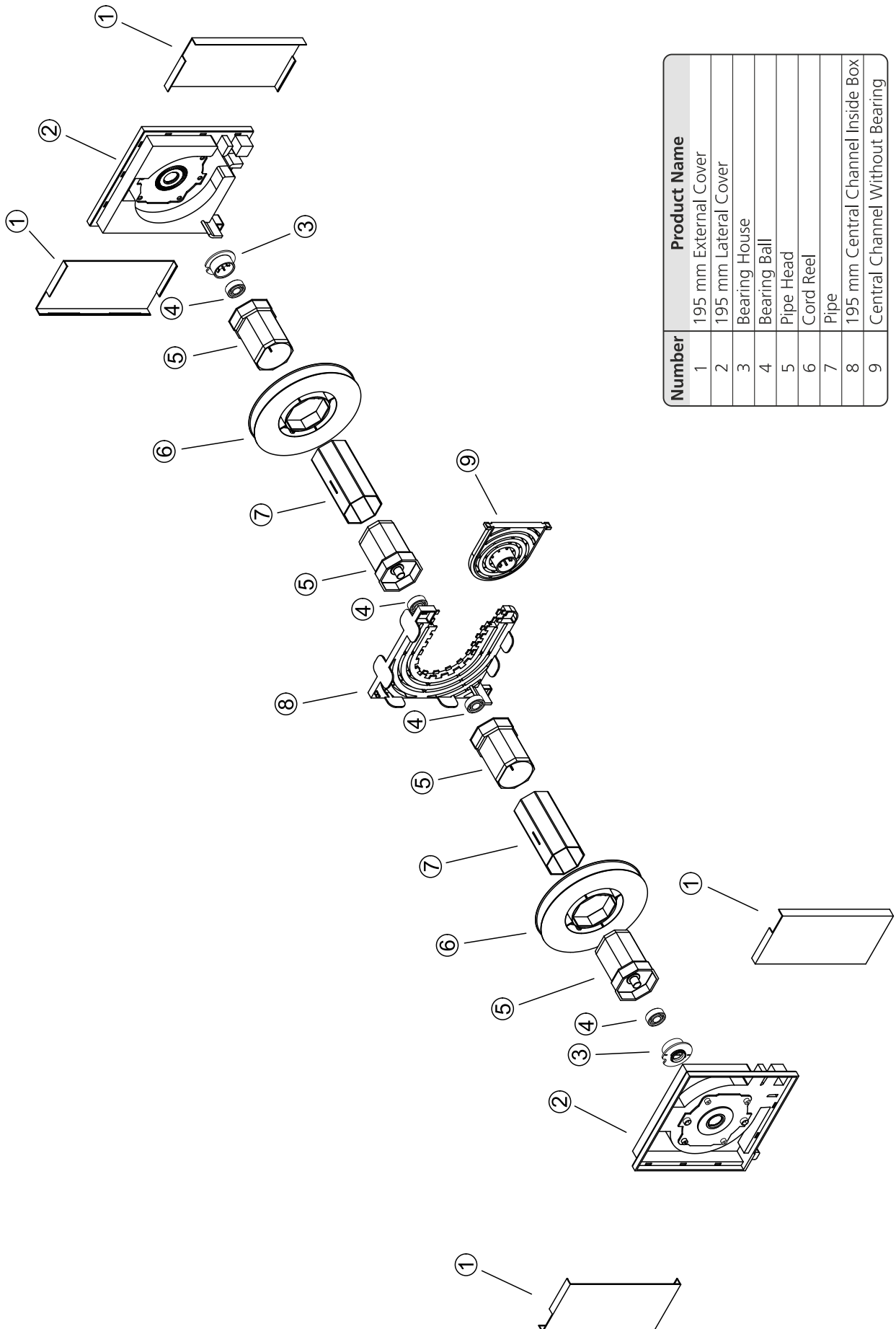
Number	Product Name
1	155 mm External Cover
2	155 mm Lateral Cover
3	Bearing House
4	Bearing Ball
5	Pipe Head 40 mm
6	155 mm Cord Reel
7	Pipe 40 mm
8	155 mm Central Channel Inside Box
9	Central Channel Without Bearing

Shutter Box 155 mm – Two Chambers – The chambers can Move Together.

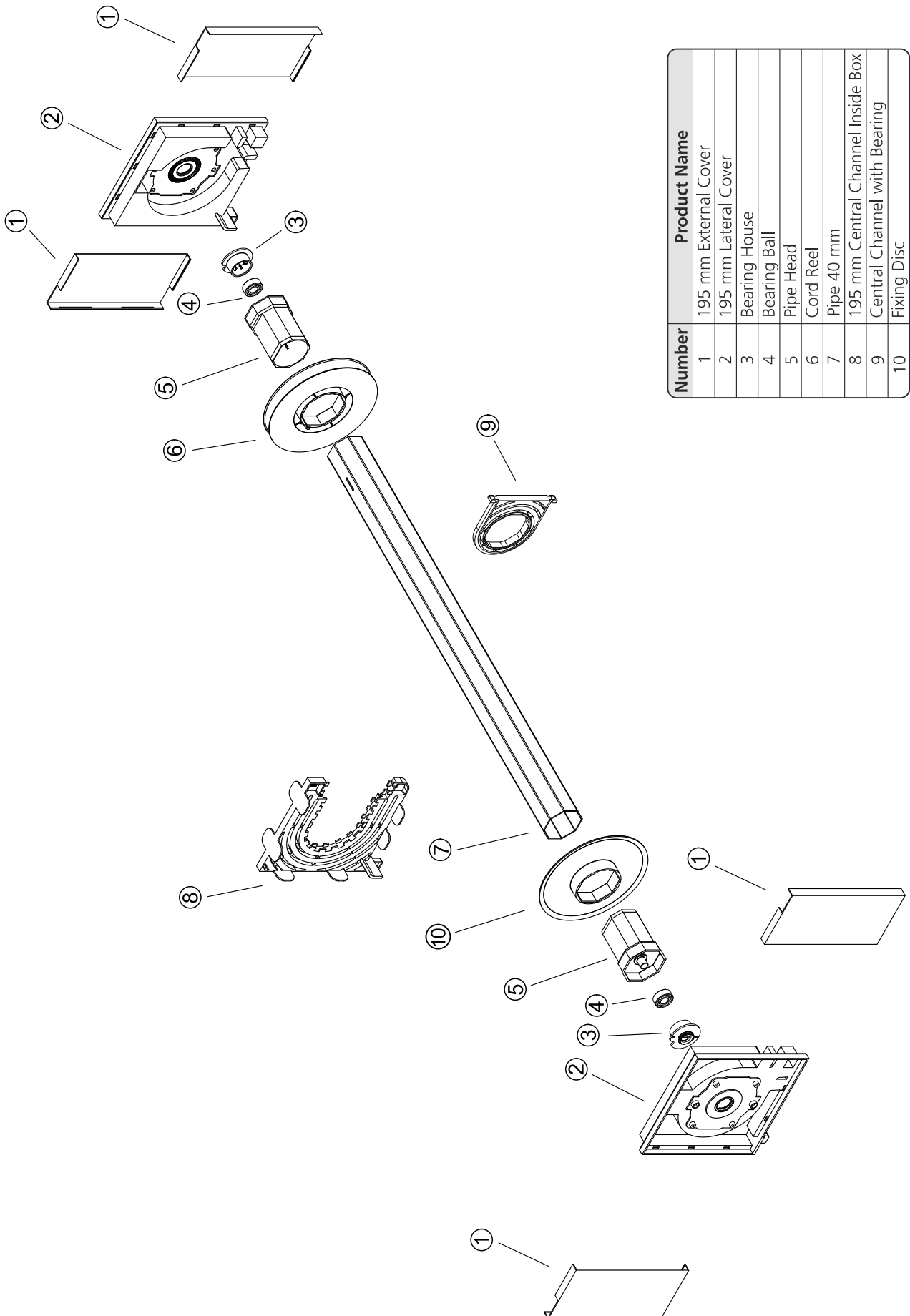


Number	Product Name
1	155 mm External Cover
2	155 mm Lateral Cover
3	Bearing House
4	Bearing Ball
5	Pipe Head 40 mm
6	155 mm Cord Reel
7	Pipe 40 mm
8	155 mm Central Channel Inside Box
9	Central Channel with Bearing
10	155 mm Fixing Disc

Shutter Box 195 mm – Two Chambers – The chambers can move separately.

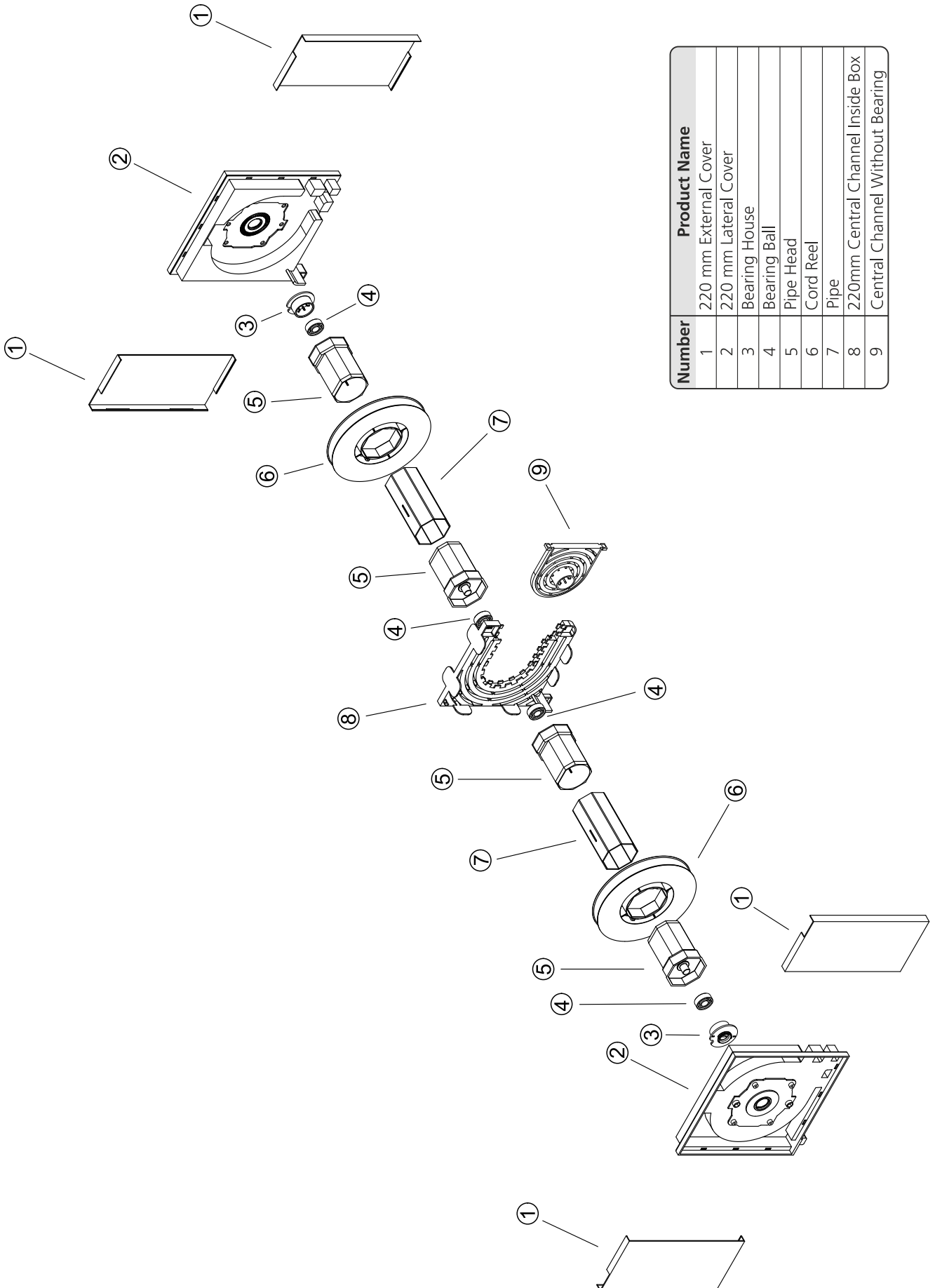


Shutter Box 195 mm – Two Chambers - The chambers can Move Together.



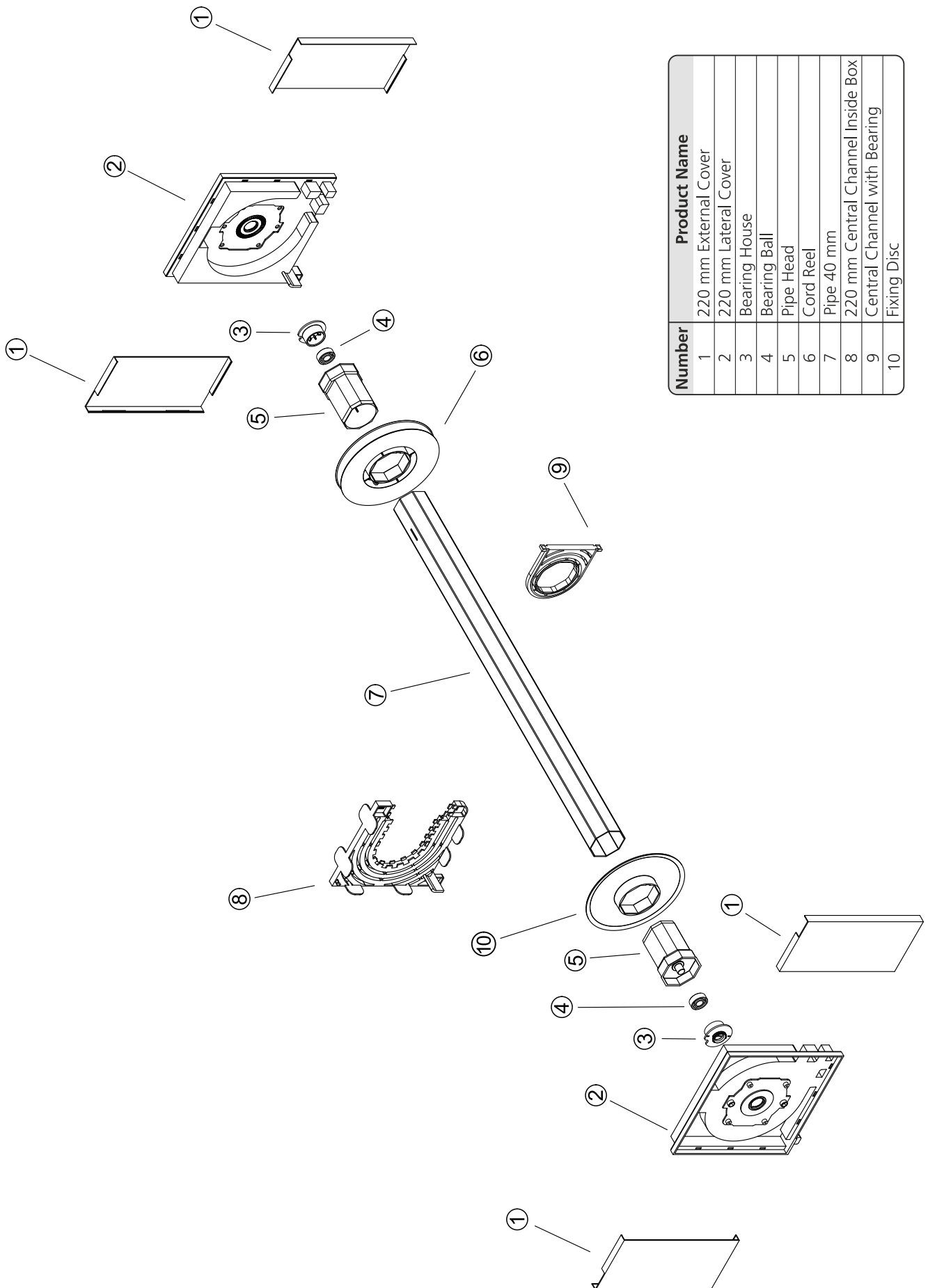
Number	Product Name
1	195 mm External Cover
2	195 mm Lateral Cover
3	Bearing House
4	Bearing Ball
5	Pipe Head
6	Cord Reel
7	Pipe 40 mm
8	195 mm Central Channel Inside Box
9	Central Channel with Bearing
10	Fixing Disc

Shutter Box 220 mm – Two Chambers – The chambers can move separately.



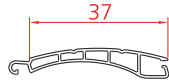
Number	Product Name
1	220 mm External Cover
2	220 mm Lateral Cover
3	Bearing House
4	Bearing Ball
5	Pipe Head
6	Cord Reel
7	Pipe
8	220mm Central Channel Inside Box
9	Central Channel Without Bearing

Shutter Box 220 mm – Two Chambers - The chambers can Move Together.

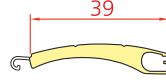


Number	Product Name
1	220 mm External Cover
2	220 mm Lateral Cover
3	Bearing House
4	Bearing Ball
5	Pipe Head
6	Cord Reel
7	Pipe 40 mm
8	220 mm Central Channel Inside Box
9	Central Channel with Bearing
10	Fixing Disc

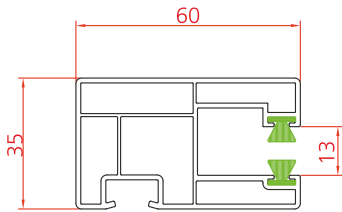
1. The lateral rails and the central rails that are suitable for 37 mm PVC slats and 39 mm aluminum slats are the ones that are 39 mm.



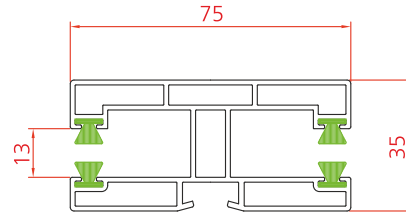
37 mm PVC Slat



39 mm Aluminum Slat

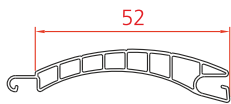


39 mm Guide Rail

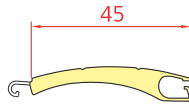


39 mm Central Rail

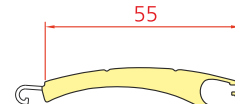
2. The lateral rails and the center rails that are suitable for 52 mm PVC slats and 45 and 55 mm aluminum slats are 55 mm thick.



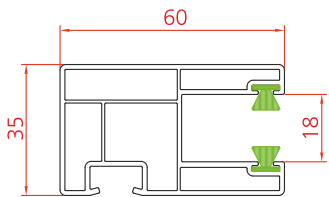
52 mm PVC Slat



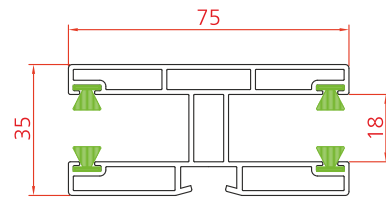
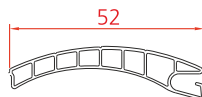
45 mm Aluminum Slat



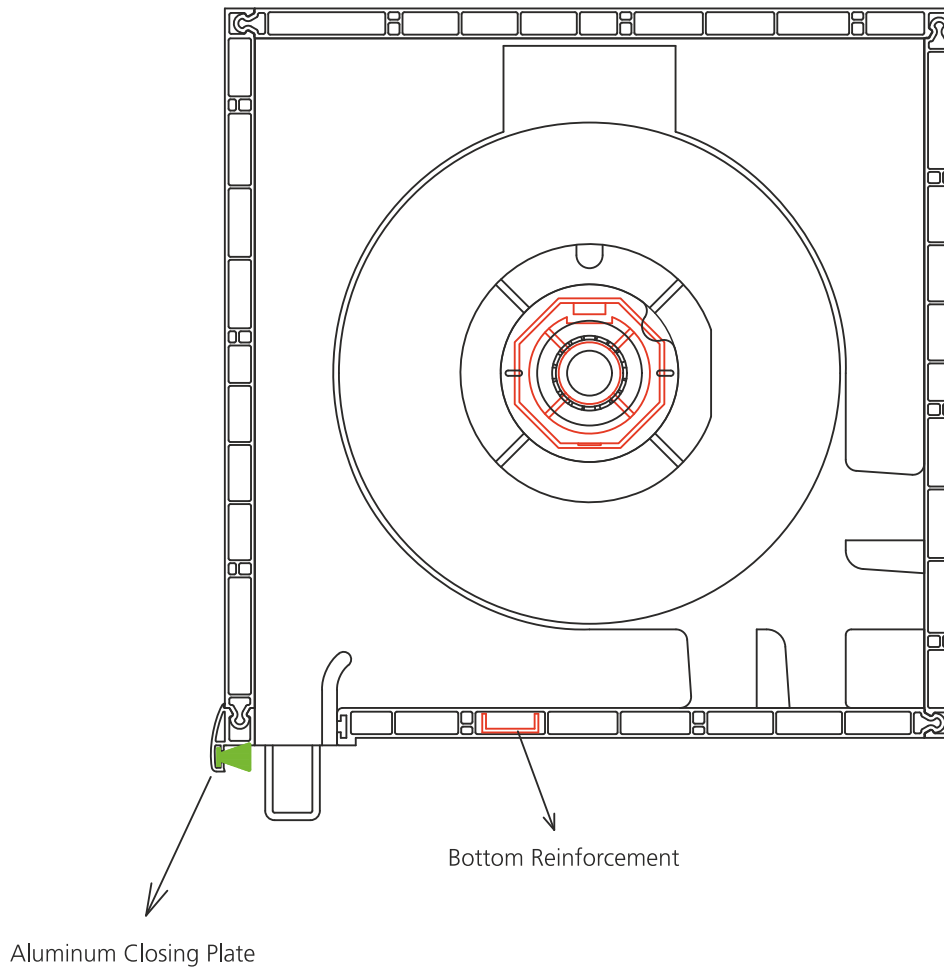
55 mm Aluminum Slat



55 mm Guide Rail

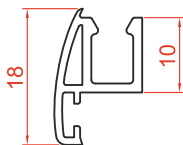


55 mm Central Rail

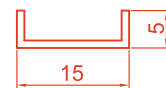


In the front profiles of the box, especially in the laminated caissons, the aluminum cover plate can be used to prevent deformation by the sun.

The reinforcement can be used in the bottom profile of the box and especially in the boxes with a wide width.

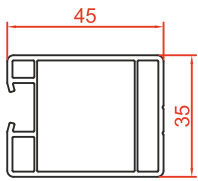


Aluminum Closing Plate

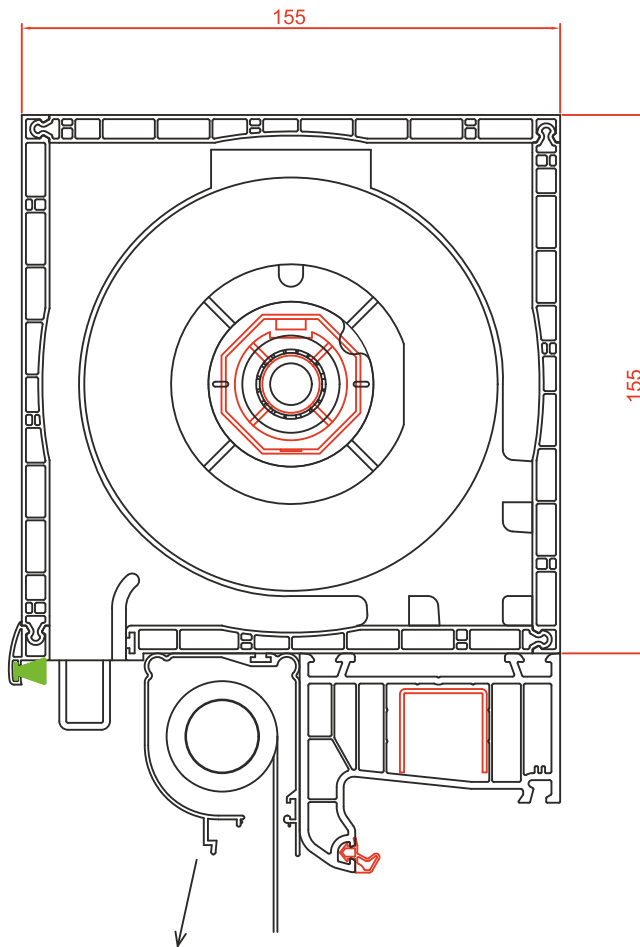


Bottom Reinforcement

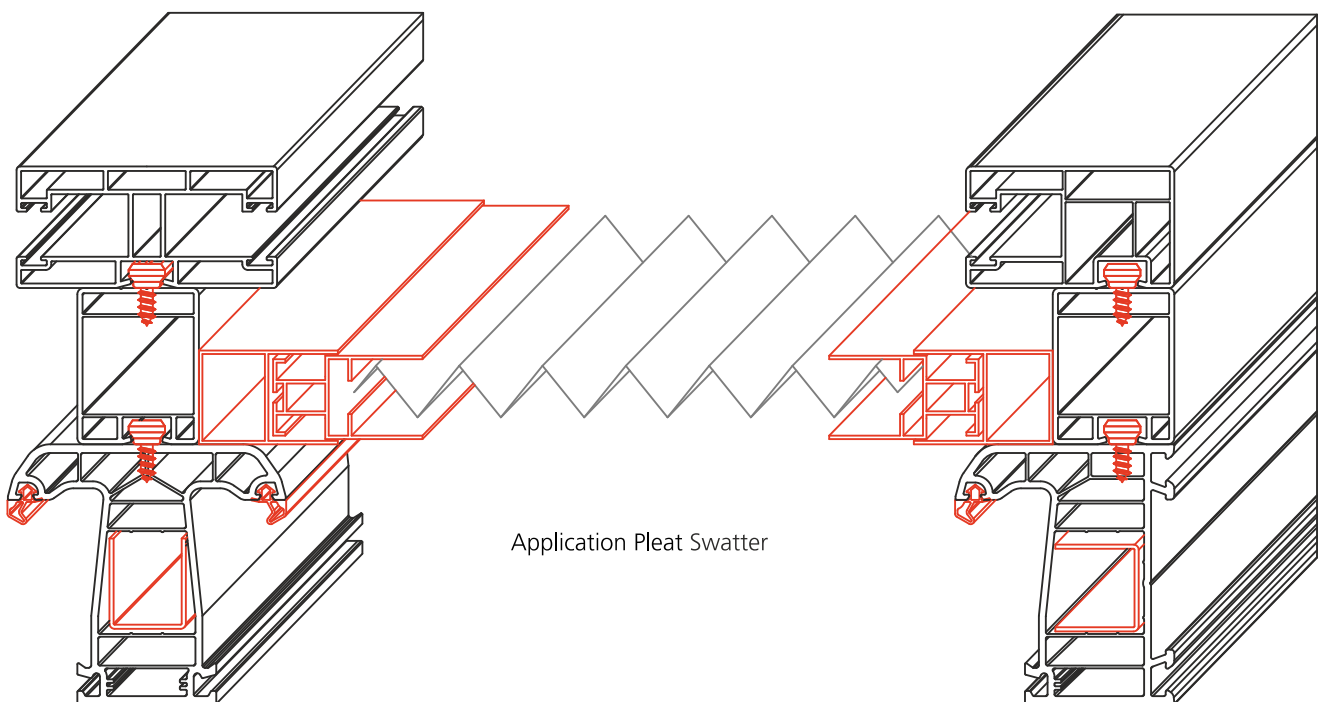
Swatter Application



Fly Swatter Adapting Profile

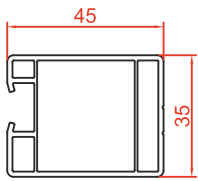


Application Roller Fly Swatter

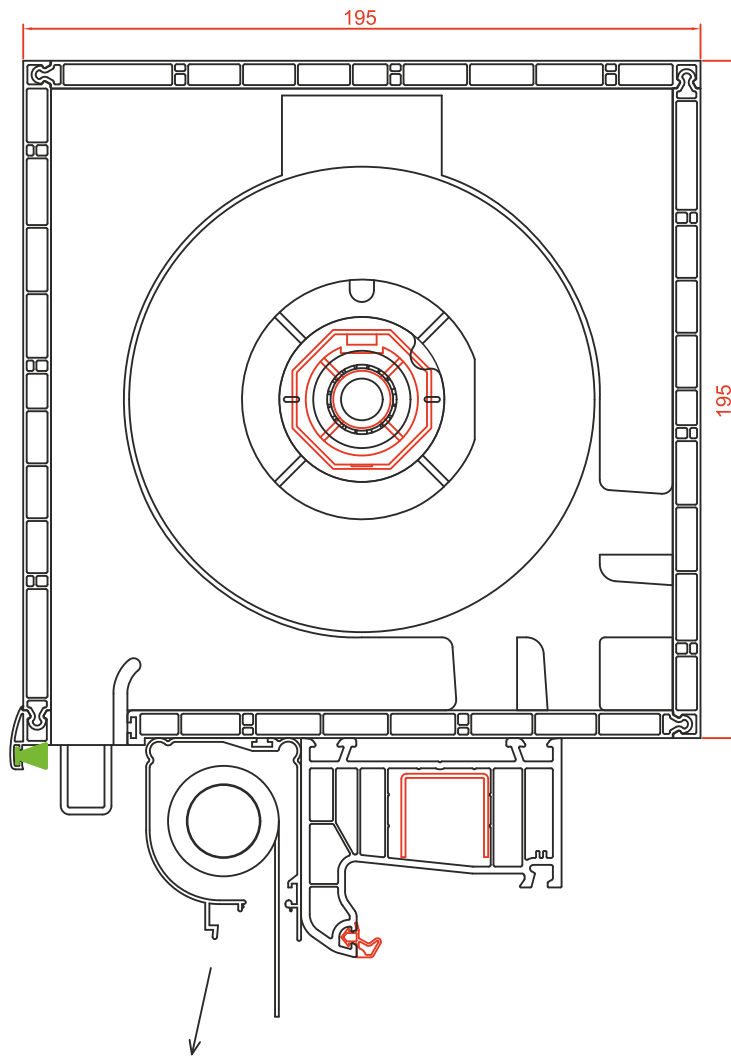


Application Pleat Swatter

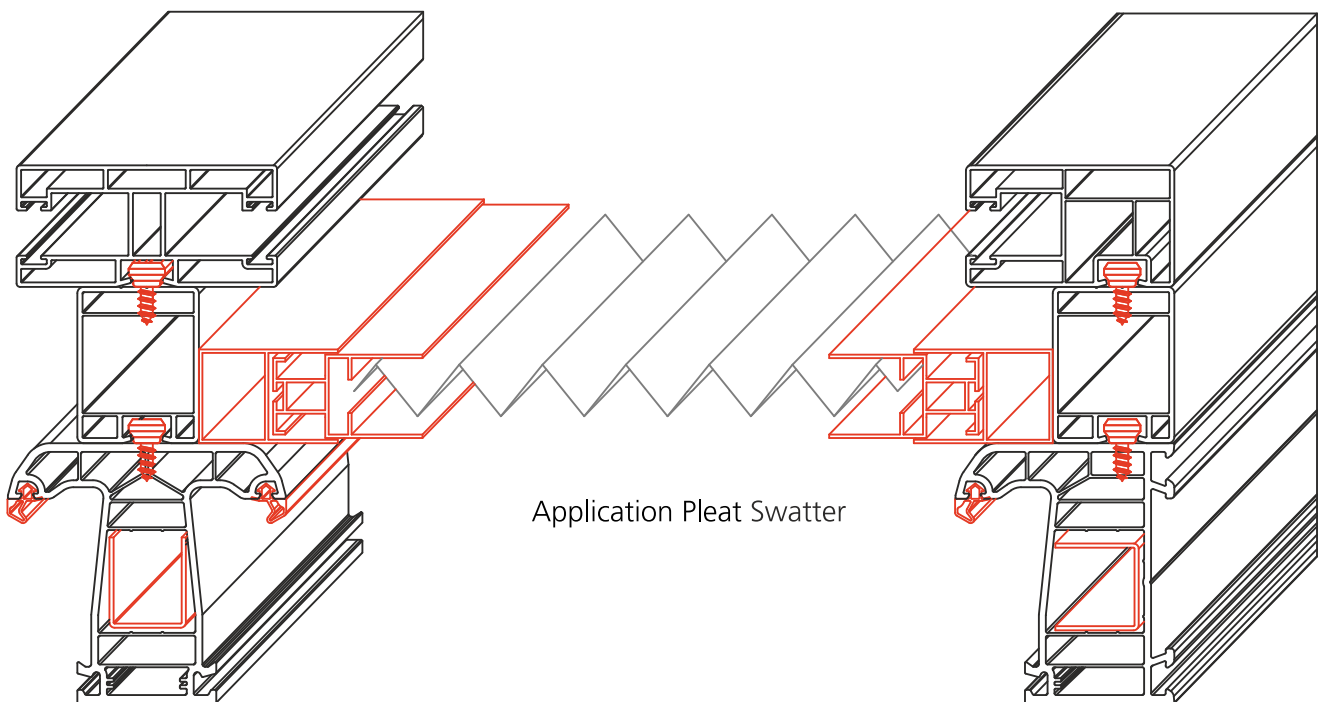
Swatter Application



Fly Swatter Adapting Profile

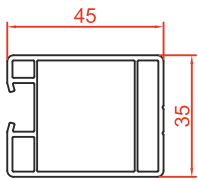


Application Roller Fly Swatter

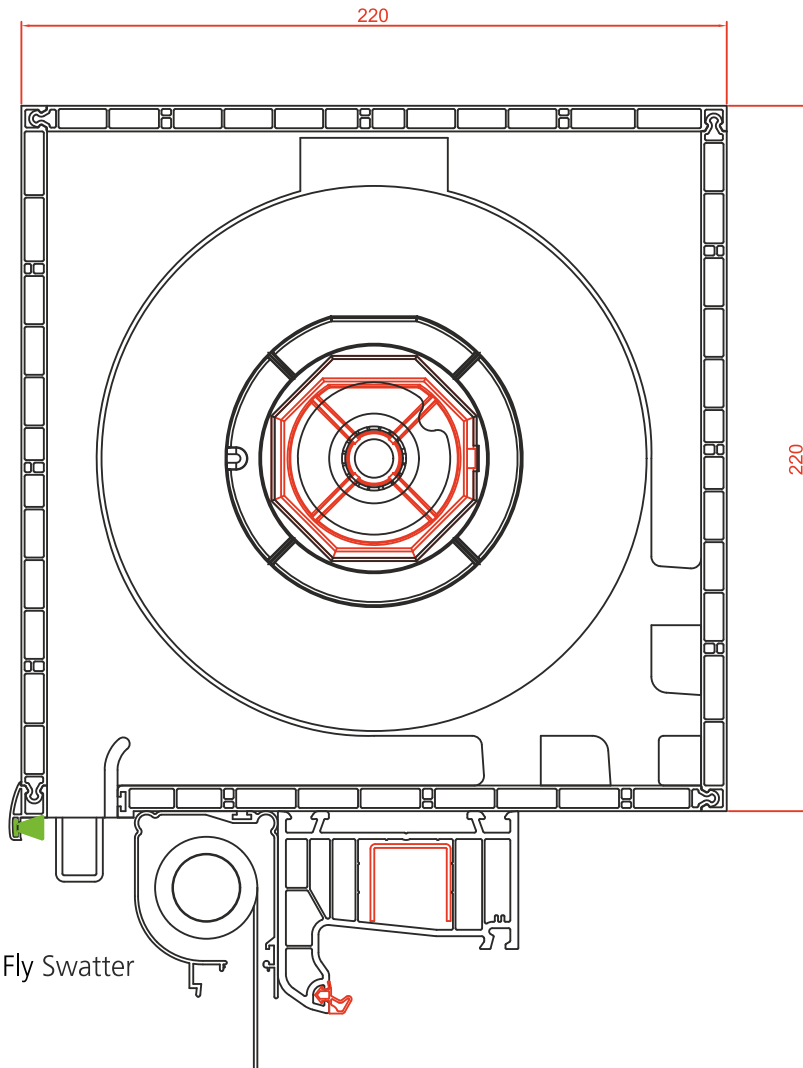


Application Pleat Swatter

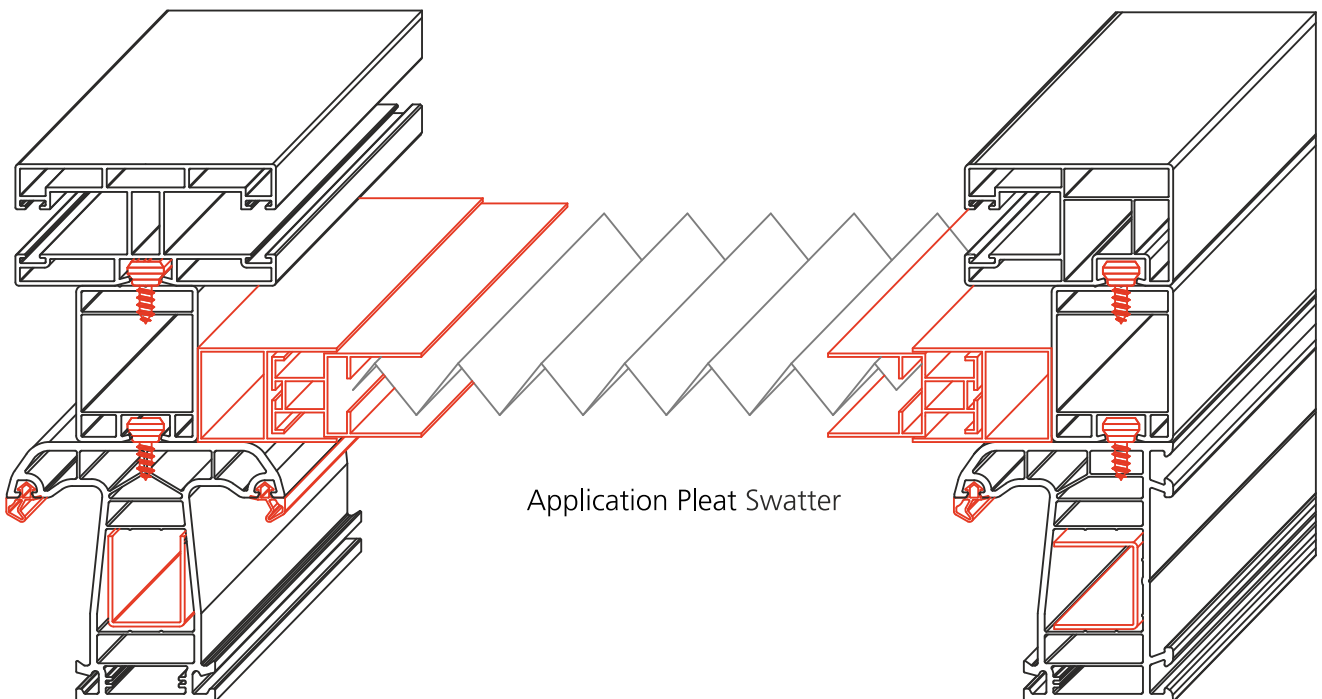
Swatter Application



Fly Swatter Adapting Profile

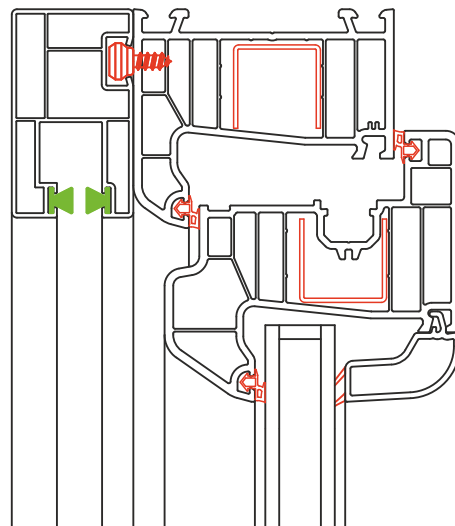
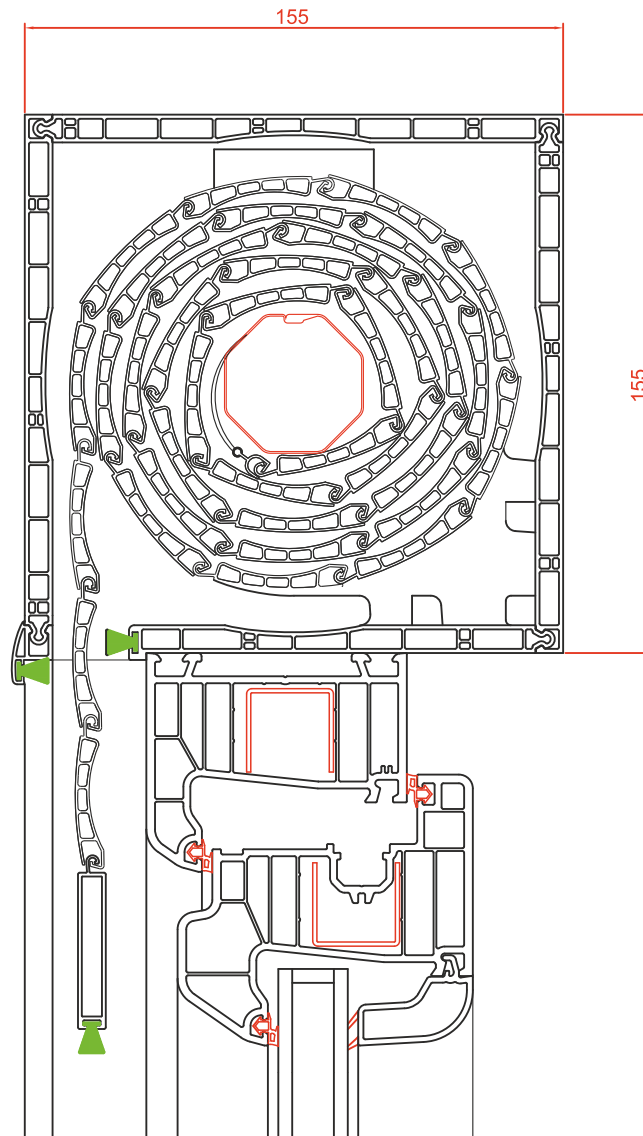


Application Roller Fly Swatter

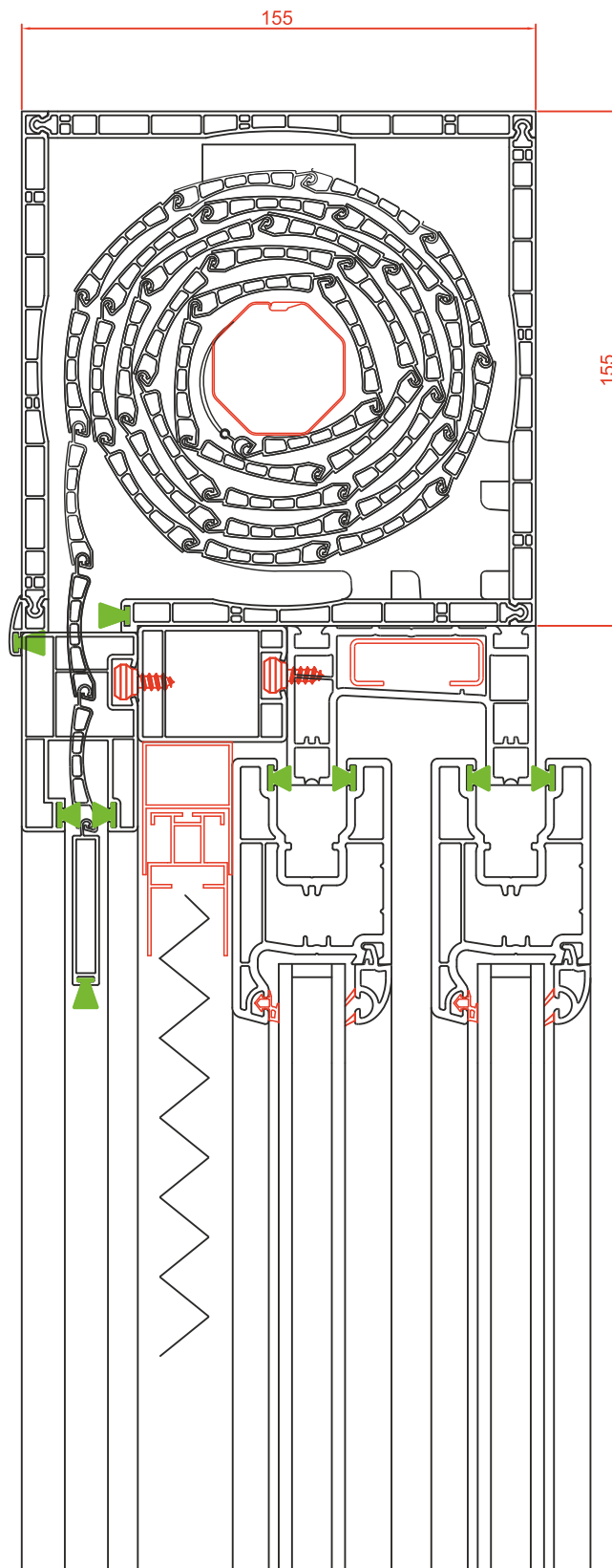


Application Pleat Swatter

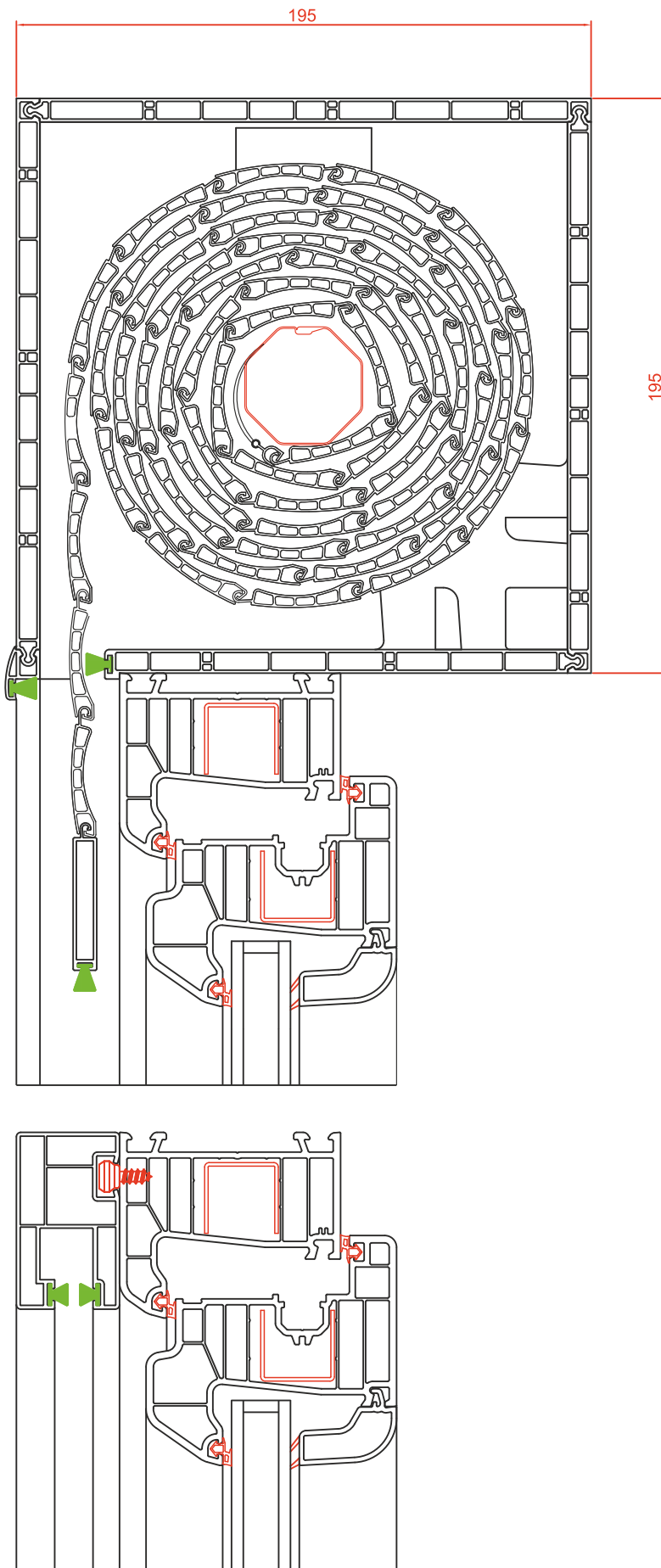
Window Application



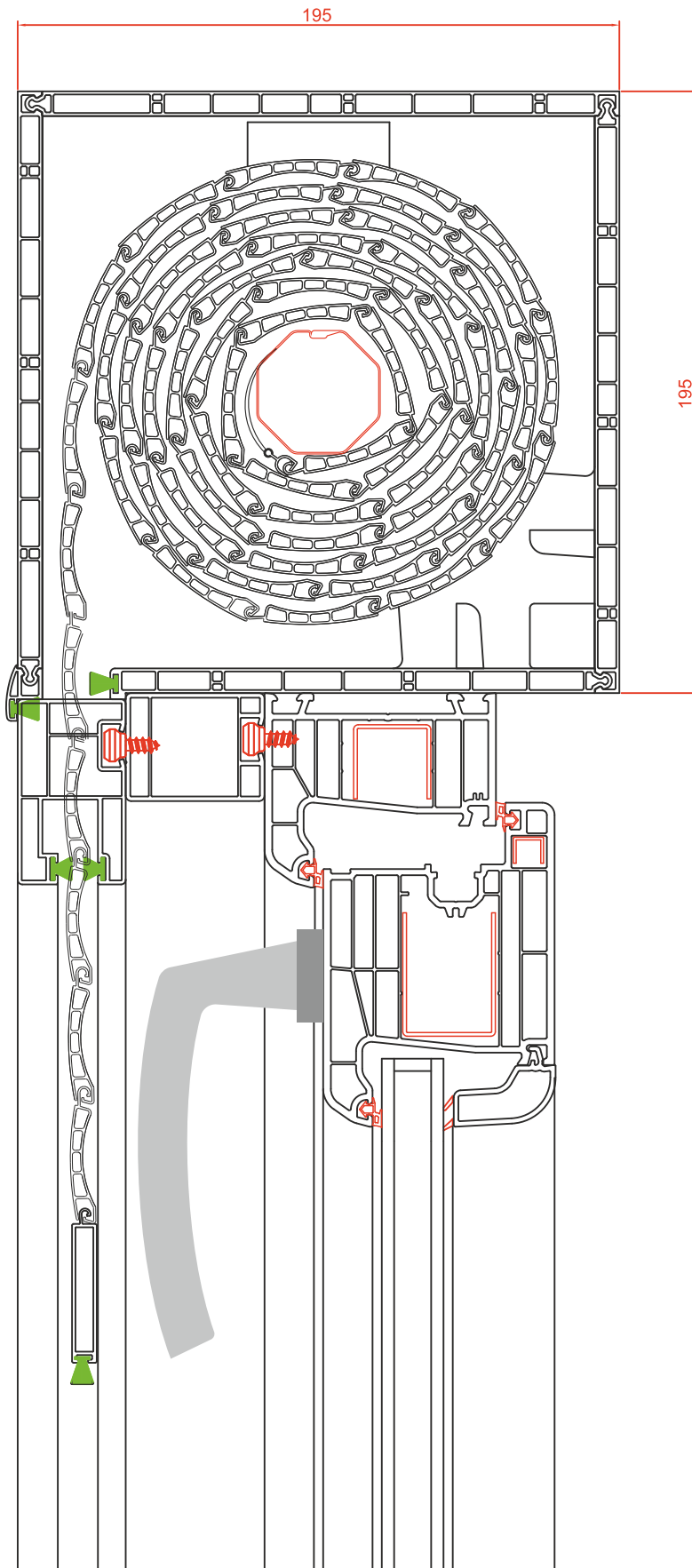
Sliding Window Application



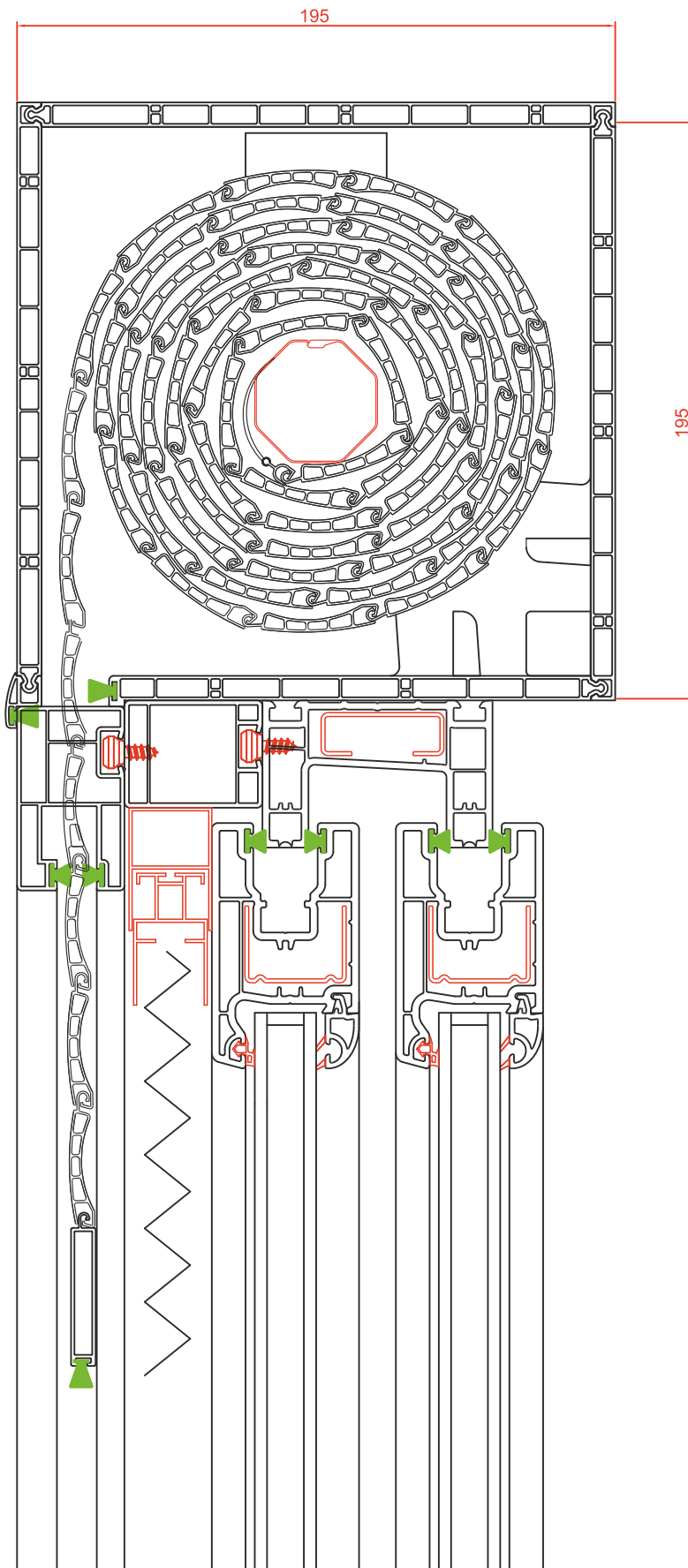
Window Application



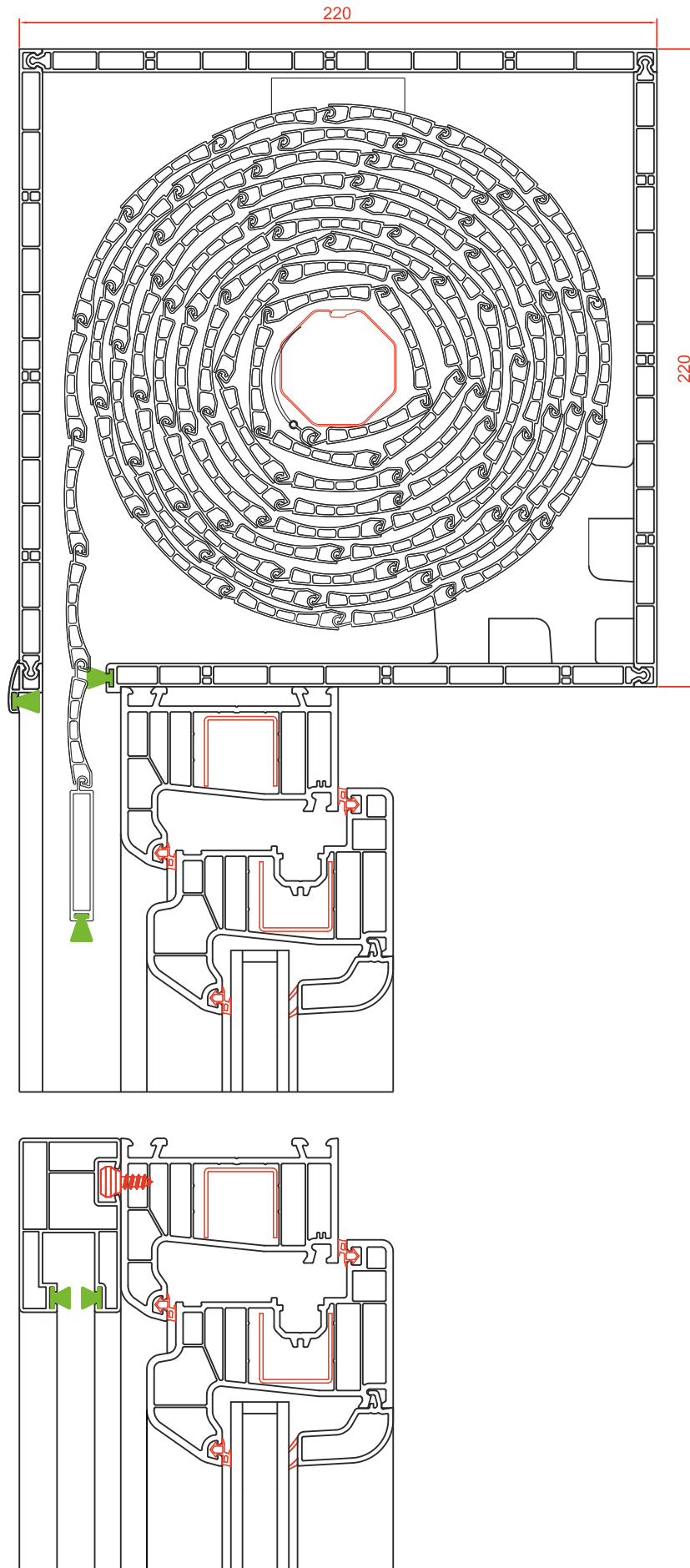
Door Application



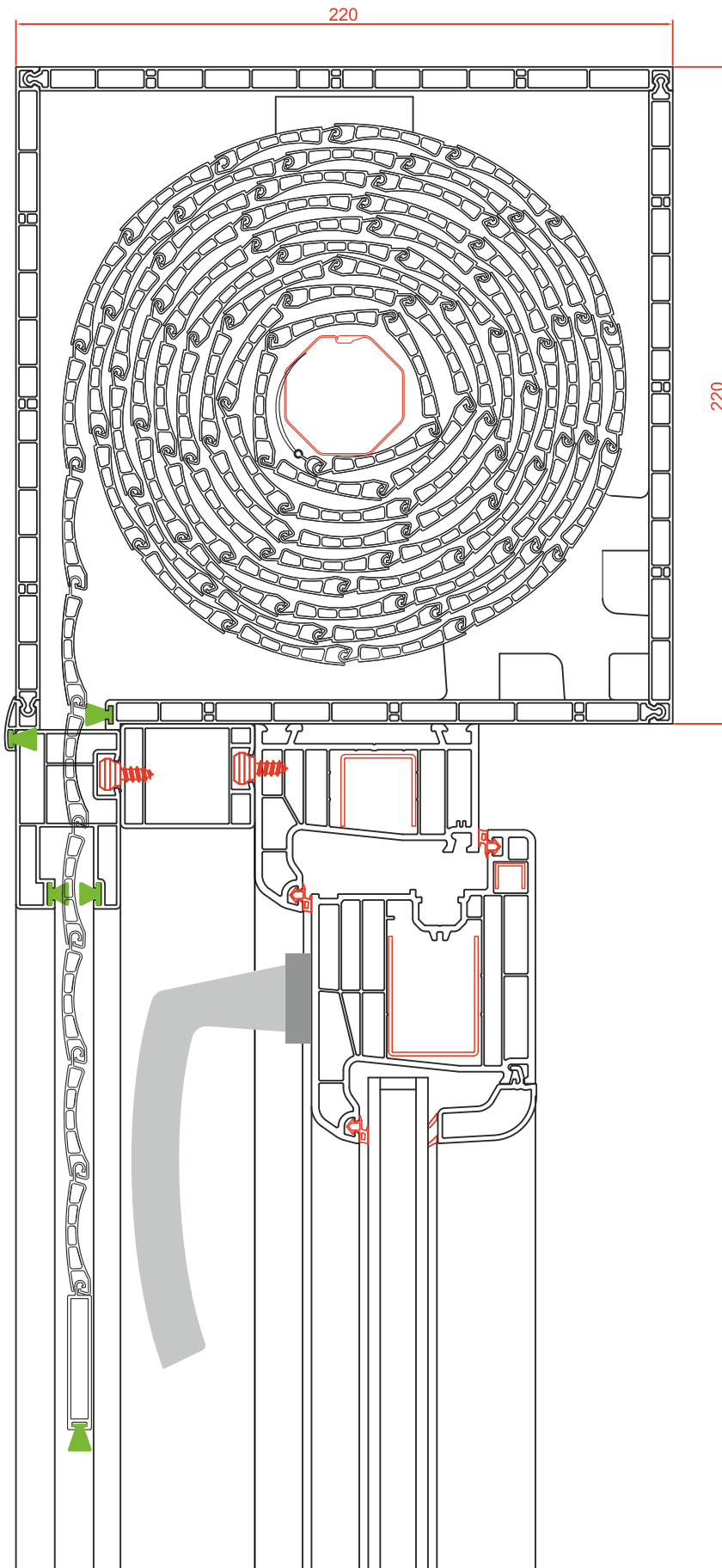
Sliding Window Application



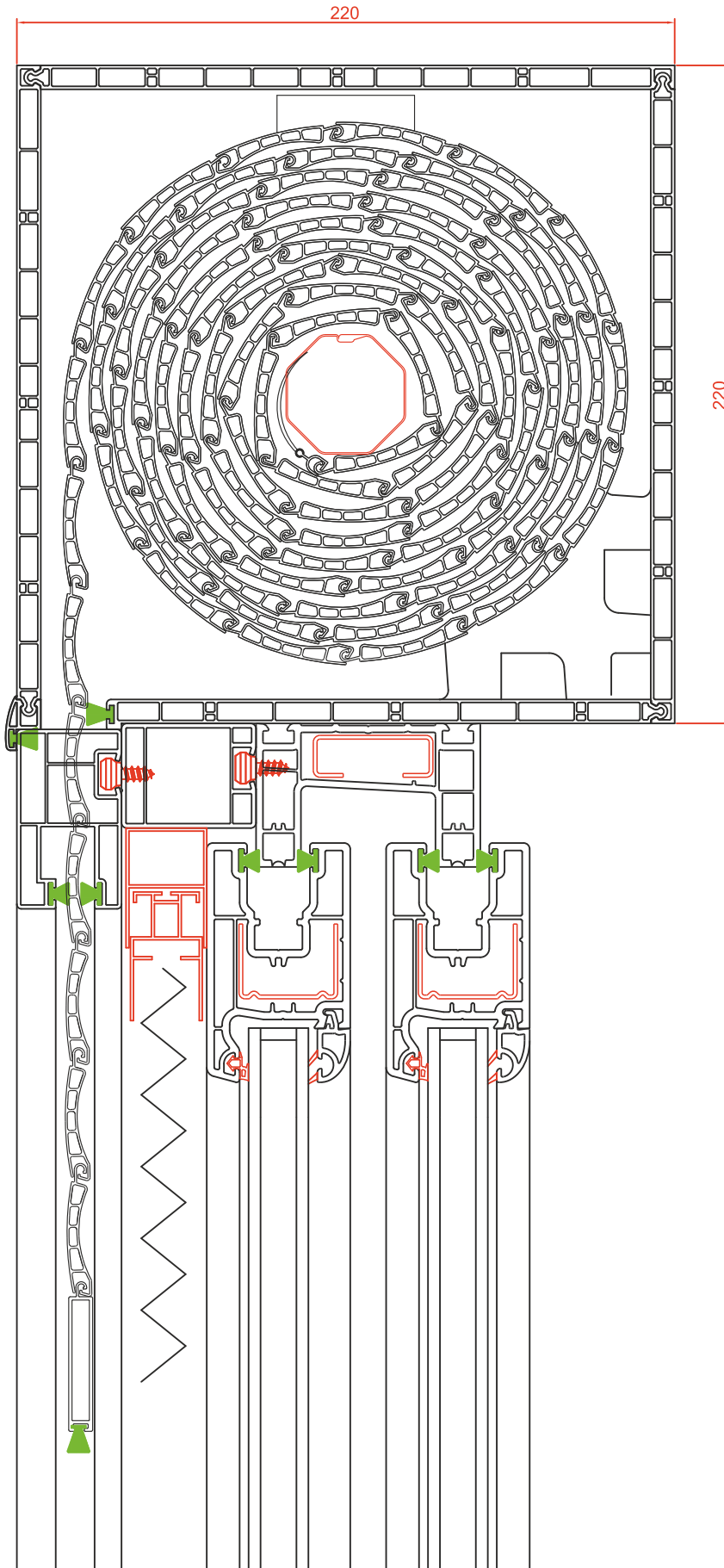
Window Application



Door Application



Sliding Window Application



FIRAT

Türkoba Mah. Fırat Plastik Cad. No: 23
34537 Büyükçekmece - İstanbul - TÜRKİYE
T: +90 (212) 866 41 41 - 866 42 42
F: +90 (212) 04 00 - 859 05 00

Customer Service:

+90 444 9 378 (FRT) / +90 800 219 80 20

firat@firat.com - info@firat.com
info@firatpen.com.tr - musterihizmetleri@firat.com
www.firat.com - www.firatpen.com.tr

📷 / Fıratplastiktr 📱 / Fıratplastik 📞 / Fıratplastik 🌐 / Fıratplastik
📷 / Fıratpentr 📱 / Fıratpen 📞 / Fıratpentr