

elegance80 elegance80

— Selective —

NEW ERA ON PERFECT INSULATION AND WIND LOAD RESISTANCE

TRIPLE
SEALING
SYSTEM

FRAME
& SASH
WIDTH
80 MM
(80 MM)

WALL
THICKNESS
ELEGANCE:
SELECTIVE:
A CLASS
ELEGANCE:
B CLASS



FIRATPEN

Türkoba Mah. Fırat Plastik Cad. No: 23
34537 Büyükçekmece - İstanbul - TÜRKİYE
T: +90 (212) 866 41 41 - 866 42 42
F: +90 (212) 04 00 - 859 05 00

Customer Service:
+90 444 9 378 (FRT) / +90 800 219 80 20

firat@firat.com - info@firat.com
info@firatpen.com.tr - musterihizmetleri@firat.com
www.firat.com - www.firatpen.com.tr

© / Fıratplastiktr ® / Fıratplastik ☒ / Fıratplastik © / Fıratplastik
© / Fıratpentr ® / Fıratpen ☒ / Fıratpentr

FIRAT



ARALIK / 2024

ELEGANCE 80 & ELEGANCE SELECTIVE WINDOW AND DOOR SYSTEM

NEW ERA ON PERFECT INSULATION AND WIND LOAD RESISTANCE
ELEGANCE 80 & ELEGANCE SELECTIVE
 Elegance and Elegance Selective systems provide more performance than what is desired from a window; they carry the quality to the highest point by combining insulation, power, and aesthetic criteria; and become a new solution partner for the projects. The system providing perfect heat insulation with its 80 mm-wide profiles, its design with 6 chambers and its triple sealing system, is specially designed for the discharge of water from outer environment. Full insulation of the middle seal was provided by the slope in the sash design. The special design which provides superior durability against the high wind load on multi-storey buildings, provides excellent performance without need for additional profiles suchlike grillage thanks to wide mullion profile. The Elegance Selective which has Class A wall thickness offers perfect solutions for all requirements of the projects where there are high-rise buildings and high wind load. The Elegance offers alternative solutions for decorative expectations of buildings and your house with its 21 different color options and aesthetic edges. The series develops different alternatives that are compatible with your furniture and wall color and the outer facade of buildings.



AESTHETICS

Window production meeting various aesthetic and decorative expectations is possible with 21 different lamination color options. Different color foils can be used, inside and outside, depending on the building facades and indoor decoration. While wooden laminate options provide traditional wood aesthetics; it is also possible to make windows providing a consistent aluminium look by using different shades of grey, mainly aluminium brush effect and anthracite. Thanks to its sharp and wide edges, Elegance 80 system is a product that fits to the modern buildings and raises their values. It provides savings through high heat insulation.

SYSTEM

- ✓ All profiles are 80 mm wide.
- ✓ Elegance Selective has Class A wall thickness; Elegance has Class B wall thickness.
- ✓ It's designed as 6 chambered.
- ✓ Triple sealed.
- ✓ To provide full insulation of the middle seal, sashes are sloped.
- ✓ Thanks to the water draining system on the frame, 100% water impermeability is provided by discharging the water from inner and outer sides of the middle seal.
- ✓ It is appropriate for 13 axis espagnolette system.
- ✓ It is designed in such a manner to easily produce a solution for all architectural details with its detailed and auxiliary profiles.

WIND LOAD RESISTANCE

- ✓ Elegance system is designed pursuant to 3.000 Pa (245 km/h) safety test on wind load and 600 Pa (110 km/h) water impermeability strength test and it has successfully passed these tests.
- ✓ The Elegance Selective Series which has Class A wall thickness for providing resistance in high wind load structures, offers perfect solutions.

- ✓ During the design stage of system, shape of reinforcement steels, their locations in the profile, and the maximum wind load that the existing structures may be exposed to, were all considered.

WATER AND AIR IMPERMEABILITY

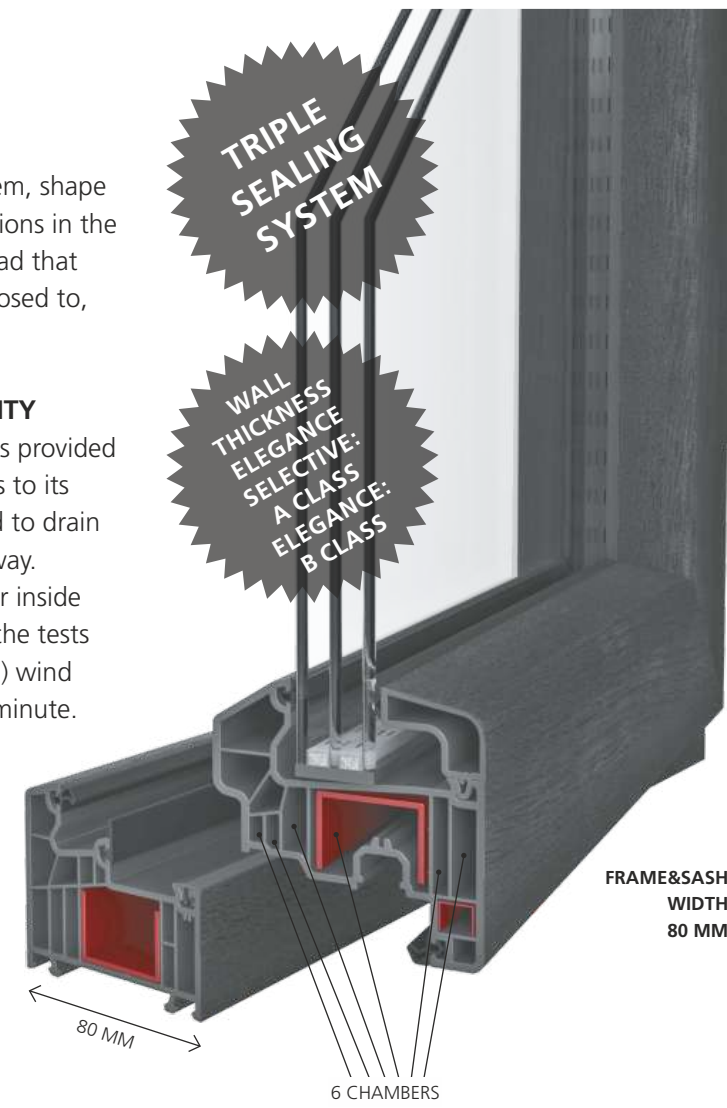
- ✓ High endurance against rain was provided even on the high wind load thanks to its drainage angle and sets developed to drain the water in a faster and simpler way.
- ✓ The system did not let any water inside and proved its high quality under the tests carried out with 600 Pa (110 km/h) wind load and 4 liters of rainwater per minute.
- ✓ Water leak was totally blocked with the triple sealing system.
- ✓ Thanks to the mullion profile that has a wide surface, high performance is provided even in the high-rise buildings and high wind loads, without need for any additional profiles such as box profile.

HEAT INSULATION

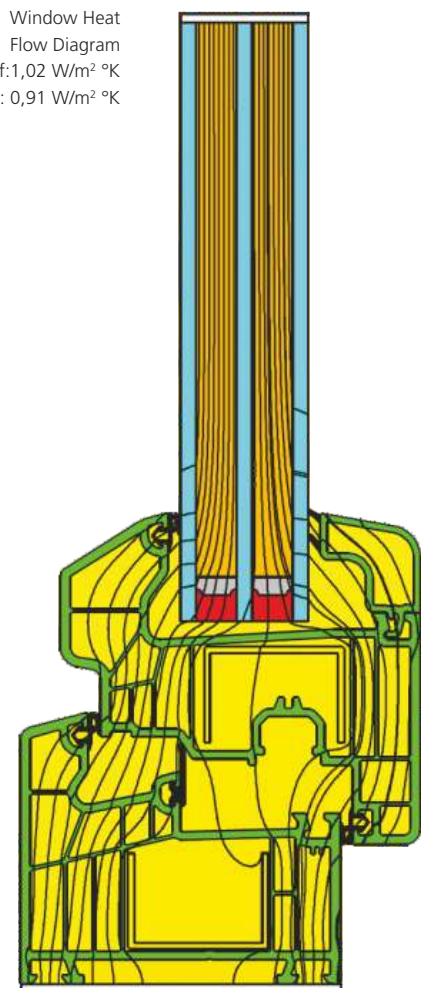
- ✓ Elegance 80 system was designed to reach the highest values of heat insulation by taking into consideration the middle seal, reinforcement steel, number and location of chambers, and all points that form a heat bridge.
- ✓ By blocking the flow of heat from indoors to outdoors in winter, and vice versa in summer, through a special frame and sash seals and triple middle sealing features it saves energy both in summer and winter.
- ✓ In accordance with the standard TS EN ISO 10077-2, with a glass system of dimensions 1.23 m x 1.43 m, the following values have been achieved: Ug: 0.6 W/m²K, Uw: 0.91 W/m²K, and Uf: 1.02 W/m²K.

SOUND INSULATION

- ✓ Because of the usage of acoustic glasses in Elegance 80 system, indoor environment quality is enhanced by providing high sound insulation values.
- ✓ Elegance Series provides isolated and comfortable environments even in flats placed near highways and airports by maintaining sound insulation up to 40 dB levels.



Window Heat Flow Diagram
 Uf: 1,02 W/m² °K
 Uw: 0,91 W/m² °K



COLOUR AND DESIGN CHART

PROFILE WIDTH
80 mm

WALL THICKNESS
 ELEGANCE SELECTIVE
A CLASS
 ELEGANCE **B CLASS**

NUMBER OF SEALS
3 (MIDDLE SEALING)

NUMBER OF CHAMBERS
6

SEAL
TPE GREY / BLACK

PROFILE HEAT INSULATION
1,02 W/m² °K

WINDOW HEAT INSULATION
0,91 W/m² °K

SOUND INSULATION
40 db

AIR PERMEABILITY CLASS
4

WATER IMPERMEABILITY CLASS
9A

WIND LOAD RESISTANCE CLASS
C3

GLASS THICKNESS (MM): **24,32,36**

The calculations were made by using a glass unit with a thermal conductivity coefficient of **0,6 W/m² °K** for a window with dimensions of **1,23x1,43 m** in accordance with the standard **TS EN ISO 10077-2**.

WHITE	CREAM WHITE	MAHOGANY
EICHE RUSTICAL	DARK OAK	DARK GREEN
STEEL BLUE	GOLDEN OAK	OAK
WALNUT	CEDAR	ANTEAK
WINCHESTER	MACORE	ANTHRACITE
SMOOTH ANTHRACITE	BLACK ULTI-MATT	TROMPET
GREY	SILVER BRUSH EFFECT	SILVER D (SILVER GREY)
ALUMINIUM BRUSH EFFECT		

ELEGANCE SERIES PROFILES

